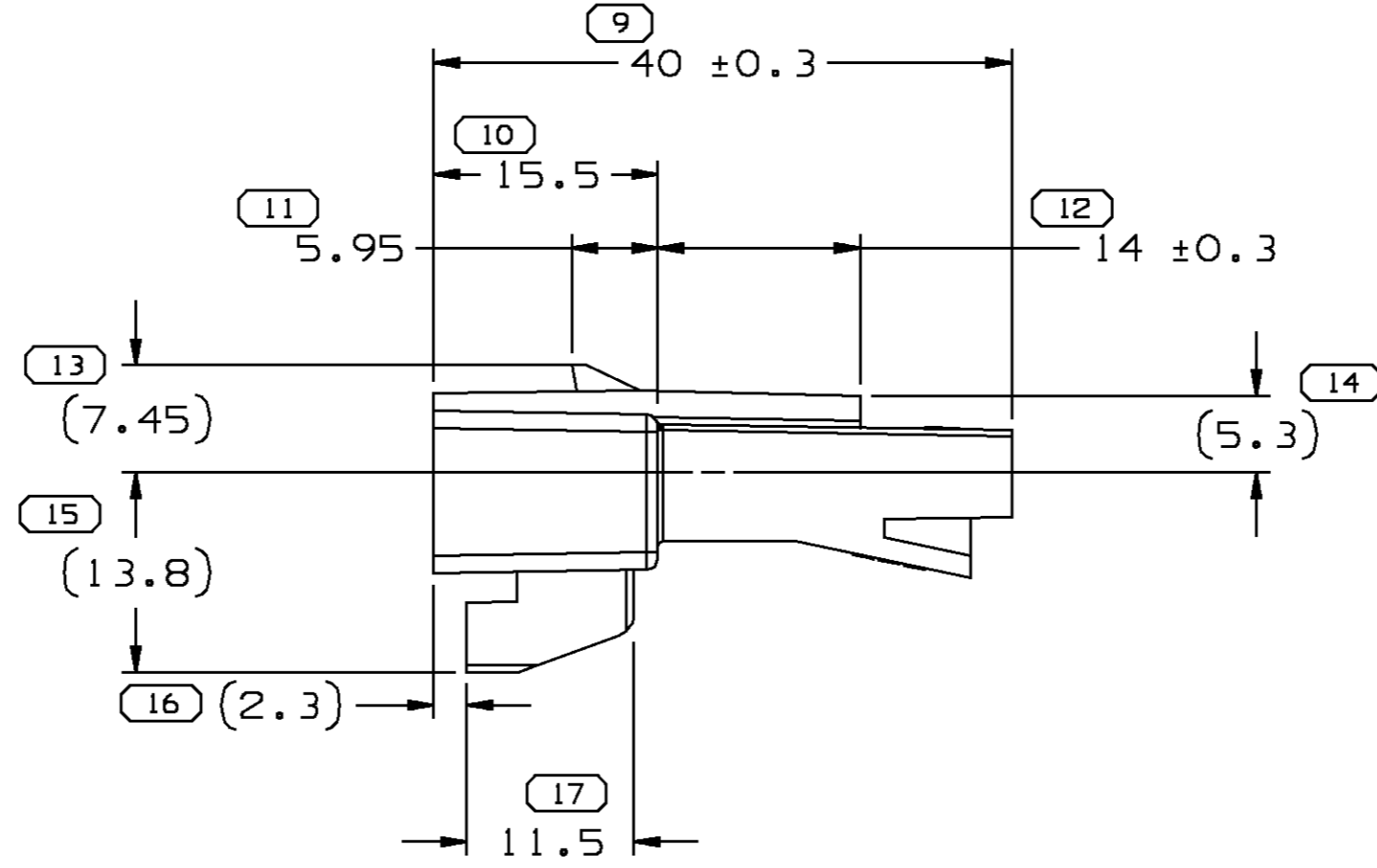
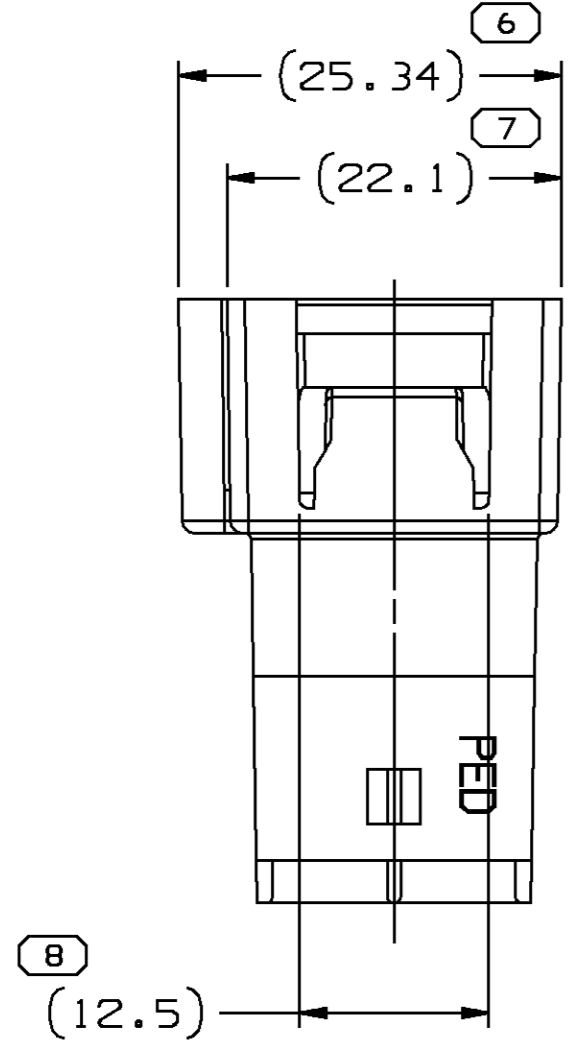
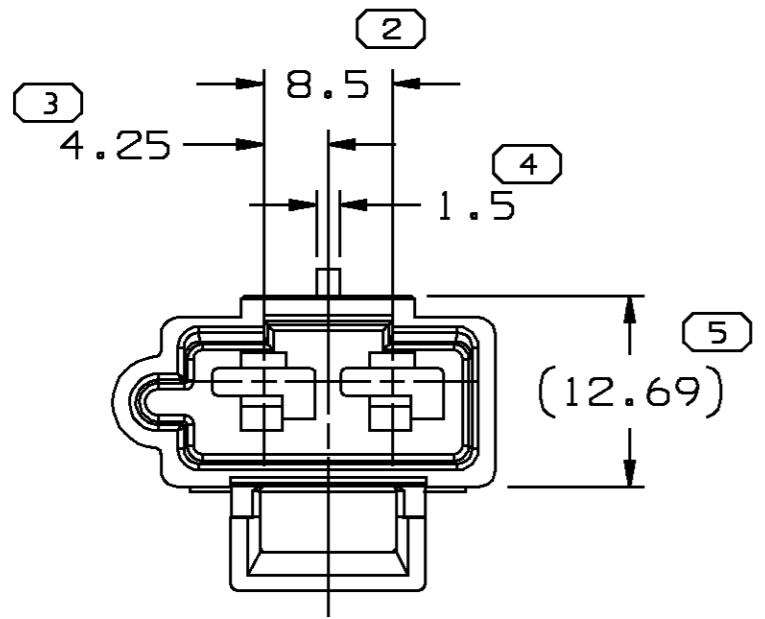
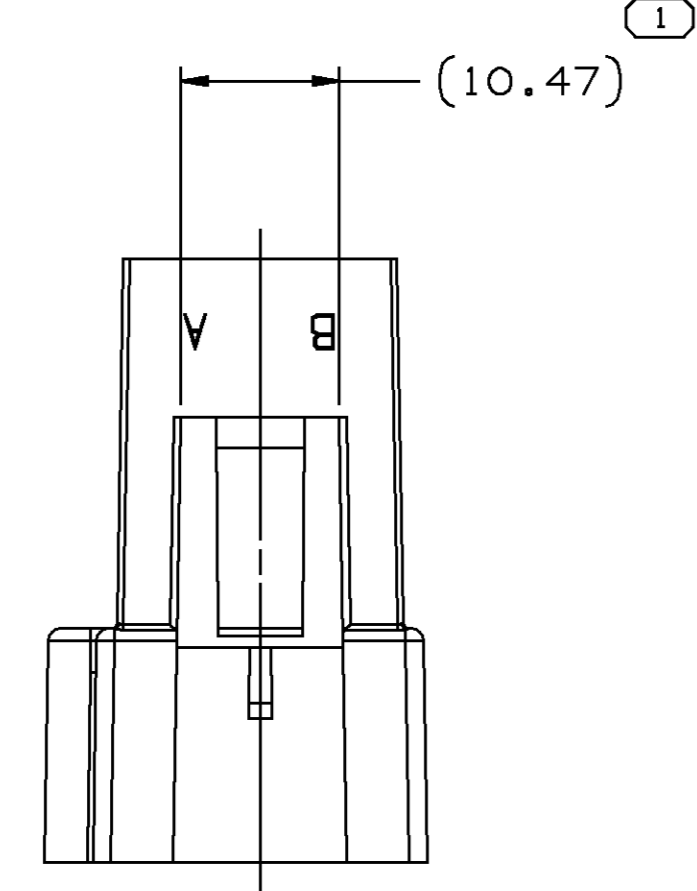




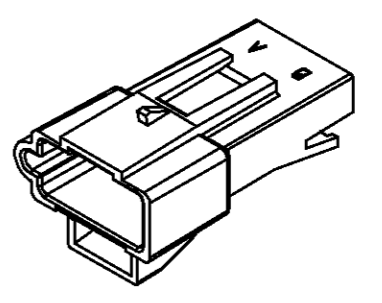
PART NO
1212 9938

DATE	SYM	REVISION RECORD	AUTH	DR	CK
07JA99	C1	REDRAWN TO PD	990009	AAS	MVA



SYMBOL DEFINITION		MISSING NUMBERS	
THE NUMBER INSIDE THE SYMBOL CORRESPONDS TO THE NUMBER ON THE INSPECTION REPORT FOR THIS DRAWING/PART NUMBER	TOTAL NO. OF SYMBOLS ON DRAWING	17	
	LAST NO. USED	17	

PART NO 1212 9938



- NOTES**
- UNLESS OTHERWISE SPECIFIED AND/OR INDICATED: DIMENSIONS ARE TO FACE OF VIEW SHOWN AND AUTOMATICALLY ROUNDED BY COMPUTER FOR INSPECTION. (SEE MATH MODEL FOR PRECISE DIMENSIONS.) FOR ALL OTHER DIMENSIONS NOT SHOWN BUT REQUIRED FOR TOOL BUILD, SEE MATH MODEL FOR PRECISE TOOL PATH DATA.
 - MATING COMPONENTS OR EQUIVALENT: 12129939
 - THIS PART ACCEPTS THE FOLLOWING COMPONENTS OR EQUIVALENT: CAVITIES TO ACCEPT 12020125 TERMINAL. SECONDARY TERMINAL LOCK 12129940 CONNECTOR POSITION ASSURANCE LOCK 12052834

THE DIMENSION NUMBER(S) SHOWN BELOW INDICATE DIMENSIONS THAT ARE PROCESS SENSITIVE FOR PART PRODUCTION				
(9)	(12)	(17)		
DIMENSIONS ENCLOSED IN () INDICATE REFERENCE DIMENSIONS AND NO TOLERANCE LIMITS ARE ESTABLISHED				
DIMENSIONAL RANGE				
FROM TO	0 TO 20	> 20 TO 30	> 30 TO 70	> 70 TO 100
TOLERANCE UNLESS OTHERWISE SPECIFIED				
± 0.15 ± 0.2 ± 0.3 ± 0.4 ± 0.5				
ANGULAR TOLERANCE ± 2°				

PART DRAWING

THIRD ANGLE PROJECTION

Unigraphics

CODE NO 6900 QC

DWG DATE 07AP92

SCALE 2:1

REFERENCE NO 001,701

MATERIAL SPEC RO071754 PA66 HS IM-BLK

DRBRIAN K. DEW 270C92

CKBRIAN K. DEW 270C92

APPR ANTHONY RASCHILLA 06N092

VOL CM³ 4.082

NAME CONN 2M M/P 630

PART NUMBER 1212 9938

SIZE A2