



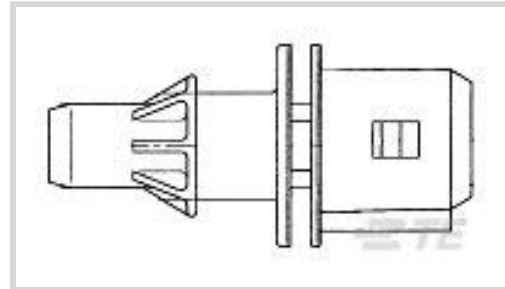
AMP | Timer Connector System

TE Internal #: 106462-1

Housing for Male Terminals, Wire-to-Wire, 2 Position, .196 in [5 mm] Centerline, Black, Signal, Cable Mount (Free-Hanging), Timer Connector System

[View on TE.com >](#)

Connectors > Automotive Connectors > Connector Housings



Connector & Housing Type: **Housing for Male Terminals**

Mating Tab Width: **2.8 mm [.11 in]**

Connector System: **Wire-to-Wire**

Number of Positions: **2**

Centerline (Pitch): **5 mm [.196 in]**

Features

Product Type Features

Connector & Housing Shape	Rectangular
Connector & Housing Type	Housing for Male Terminals
Connector System	Wire-to-Wire
Sealable	No
Hybrid Connector	No
Primary Locking Feature	Integrated in Housing

Configuration Features

Number of Positions	2
Number of Rows	1

Body Features

Cable Exit Angle	180°
Body Material	PBT
Primary Product Color	Black

Contact Features

Contact Size	2.8mm
Contact Type	Tab
Mating Tab Width	2.8 mm[.11 in]

Mechanical Attachment



Mounting Feature	Without
Terminal Position Assurance	No
Strain Relief	Without
Mating Alignment Type	Polarized
Mating Alignment	With
Connector Mounting Type	Cable Mount (Free-Hanging)

Housing Features

Centerline (Pitch)	5 mm[.196 in]
--------------------	---------------

Dimensions

Product Width	36.5 mm[1.43 in]
Product Length	19 mm[.748 in]
Product Height	17.2 mm[.677 in]

Operation/Application

Circuit Application	Signal
---------------------	--------

Packaging Features

Packaging Quantity	1020
Packaging Method	Box

Other

Serviceable	No
Connector Position Assurance Capable	No

Product Compliance

[For compliance documentation, visit the product page on TE.com>](#)

EU RoHS Directive 2011/65/EU	Compliant
EU ELV Directive 2000/53/EC	Compliant
China RoHS 2 Directive MIIT Order No 32, 2016	No Restricted Materials Above Threshold
EU REACH Regulation (EC) No. 1907/2006	Current ECHA Candidate List: JAN 2022 (223) Candidate List Declared Against: JAN 2022 (223) Does not contain REACH SVHC
Halogen Content	Low Halogen - Br, Cl, F, I < 900 ppm per homogenous material. Also BFR/CFR/PVC Free

Solder Process Capability

Not applicable for solder process capability

Product Compliance Disclaimer

This information is provided based on reasonable inquiry of our suppliers and represents our current actual knowledge based on the information they provided. This information is subject to change. The part numbers that TE has identified as EU RoHS compliant have a maximum concentration of 0.1% by weight in homogenous materials for lead, hexavalent chromium, mercury, PBB, PBDE, DBP, BBP, DEHP, DIBP, and 0.01% for cadmium, or qualify for an exemption to these limits as defined in the Annexes of Directive 2011/65/EU (RoHS2). Finished electrical and electronic equipment products will be CE marked as required by Directive 2011/65/EU. Components may not be CE marked. Additionally, the part numbers that TE has identified as EU ELV compliant have a maximum concentration of 0.1% by weight in homogenous materials for lead, hexavalent chromium, and mercury, and 0.01% for cadmium, or qualify for an exemption to these limits as defined in the Annexes of Directive 2000/53/EC (ELV). Regarding the REACH Regulation, the information TE provides on SVHC in articles for this part number is based on the latest European Chemicals Agency (ECHA) 'Guidance on requirements for substances in articles' posted at this URL: <https://echa.europa.eu/guidance-documents/guidance-on-reach>

Compatible Parts



TE Part # CAT-T4827-CH8172
TIMER, CONNECTOR HOUSING



TE Part # CAT-T4827-T273
TIMER, RECEPTACLE AND TAB



TE Part # 282189-8
SPLASH PROOF CONN. W.S.L.



TE Part # 282762-7
JPT SPLASH-PROOF FEM.CONN2 POS



TE Part # 282190-5
SPLASH PROOF CONN. W.S.L.



TE Part # 282762-3
JPT SPLASH-PROOF FEM.CONN2 POS



TE Part # 827551-4
2P MI D-FED KONTGEH



TE Part # 827551-5
JUNIOR TIMER CONNECTOR-HSG



TE Part # 827551-8
2P MI D-FED KONTGEH



TE Part # 828657-2
2P JUNIOR-TIMER GEH



TE Part # 828657-5
2P JUNIOR-TIMER GEH



TE Part # 828657-6
2P JUNIOR-TIMER GEH



TE Part # 828657-8
2P JUNIOR-TIMER GEH



TE Part # 1-826008-6
2PJUN-TIMER HOUSING

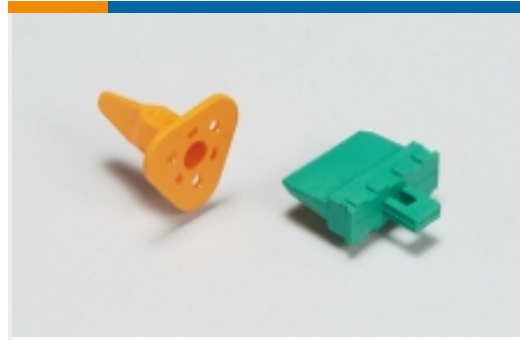


TE Part # 826008-8
2P MIN FEDERKON GEH

Also in the Series | Timer Connector System



Automotive Connector Caps & Covers (11)



Automotive Connector Locks & Position Assurance(16)



Automotive Housings(219)



Automotive Seals & Cavity Plugs(31)



Automotive Terminals(140)



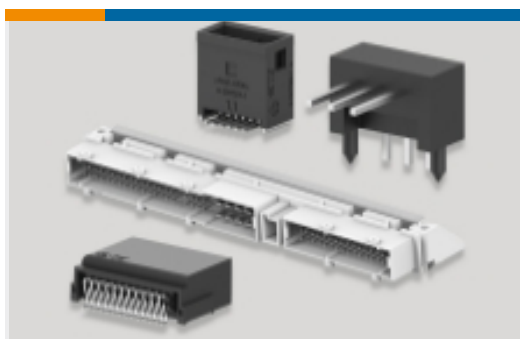
Crimp Terminal Housings(13)



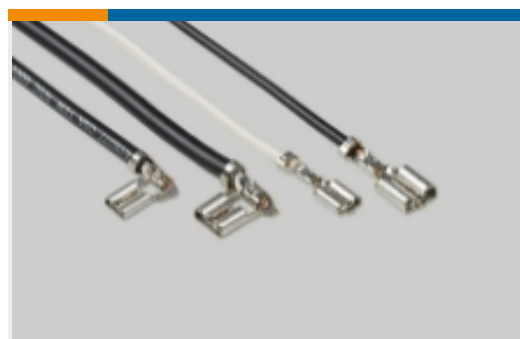
Insertion & Extraction Tools(20)



Other Automotive Connector Accessories(1)



PCB Headers & Receptacles(78)



Quick Disconnects(4)

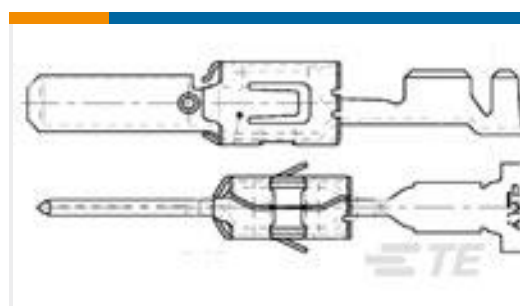
Customers Also Bought



TE Part #282189-1
SPLASH PROOF CONN. W.S.L.



TE Part #4-1823498-1
62POS, MIXED,REC HSG,ASSY, SEALED



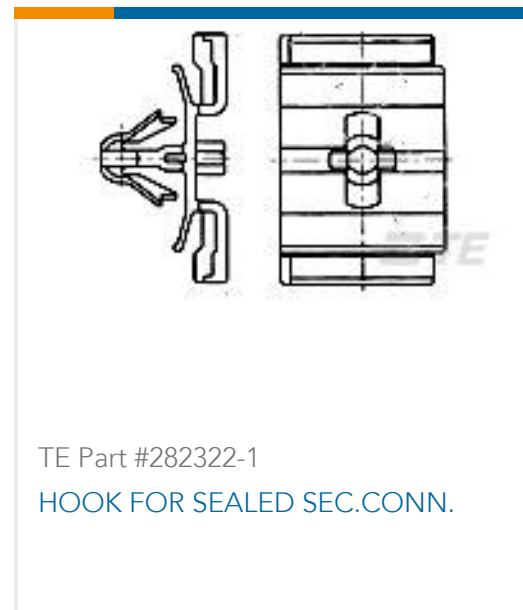
TE Part #185028-1
TAB F 2.8x0.8 CONTACT CS SWS Sn



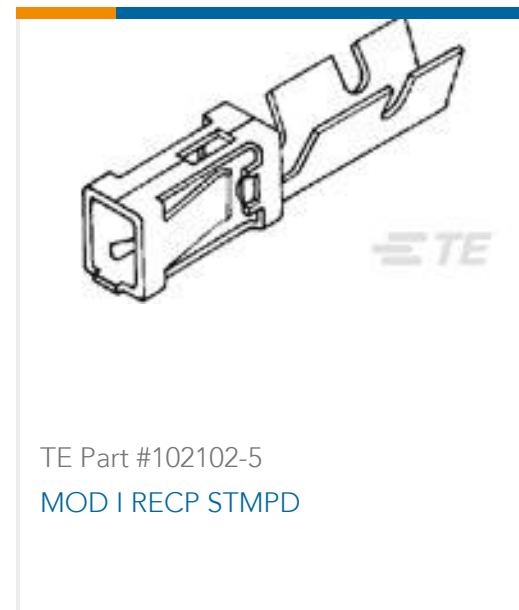
TE Part #284869-3
8POS MQS TAB



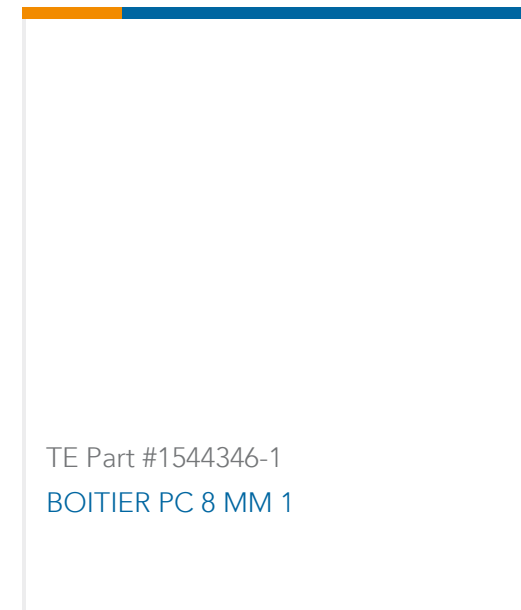
TE Part #926986-1
MNL BUCHSE 3,5 MM



TE Part #282322-1
HOOK FOR SEALED SEC.CONN.



TE Part #102102-5
MOD I RECP STMPD



TE Part #1544346-1
BOITIER PC 8 MM 1



TE Part #2837305-2
OCEAN_2.0_Applicator-S-248F315O



TE Part #2-953657-1
5W TAB HSG ASSY

Documents

Product Drawings

2P.FASTIN-ON HSG.

English

CAD Files

Customer View Model

[ENG_CVM_106462-1_E.3d_igs.zip](#)

English

Customer View Model

[ENG_CVM_106462-1_E.3d_stp.zip](#)

English

Customer View Model

[ENG_CVM_106462-1_E.2d_dxf.zip](#)

English

3D PDF

English

By downloading the CAD file I accept and agree to the [Terms and Conditions](#) of use.

Datasheets & Catalog Pages

Timer Interconnection System

English

Product Specifications

Product Specification

English

Product Environmental Compliance

[MD_106462-1_02102017352_dmtec](#)

106462-1

Housing for Male Terminals, Wire-to-Wire, 2 Position, .196 in [5 mm] Centerline,
Black, Signal, Cable Mount (Free-Hanging), Timer Connector System



English

[MD_106462-1_02102017352_dmtec](#)

English