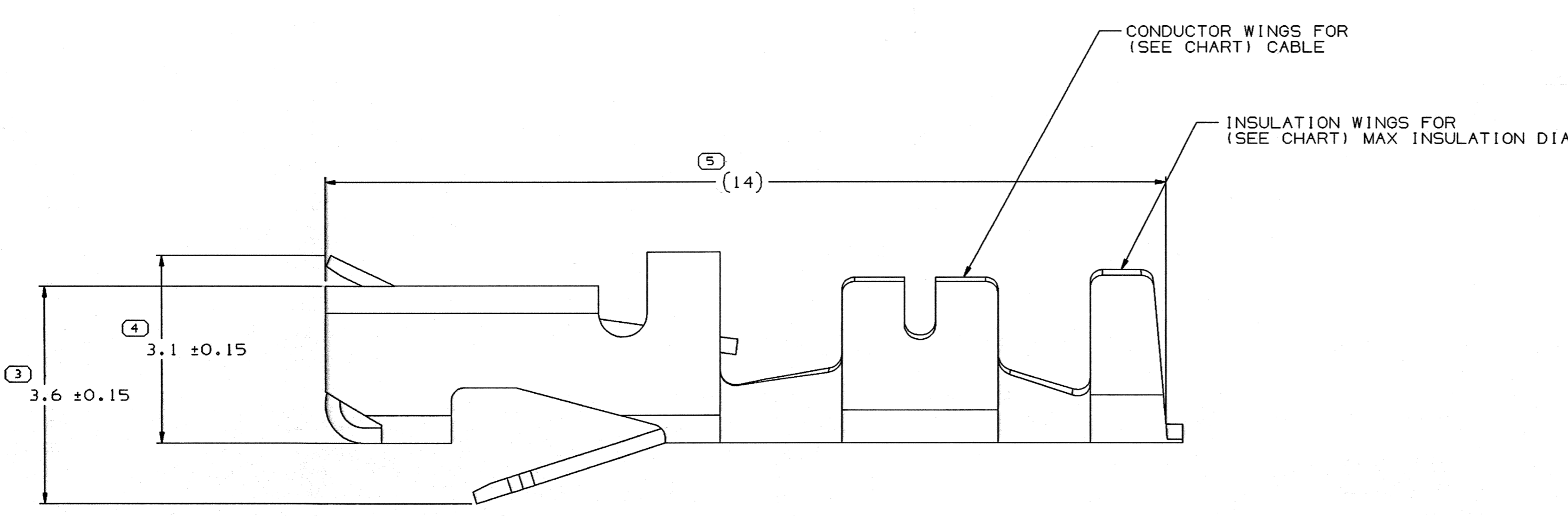
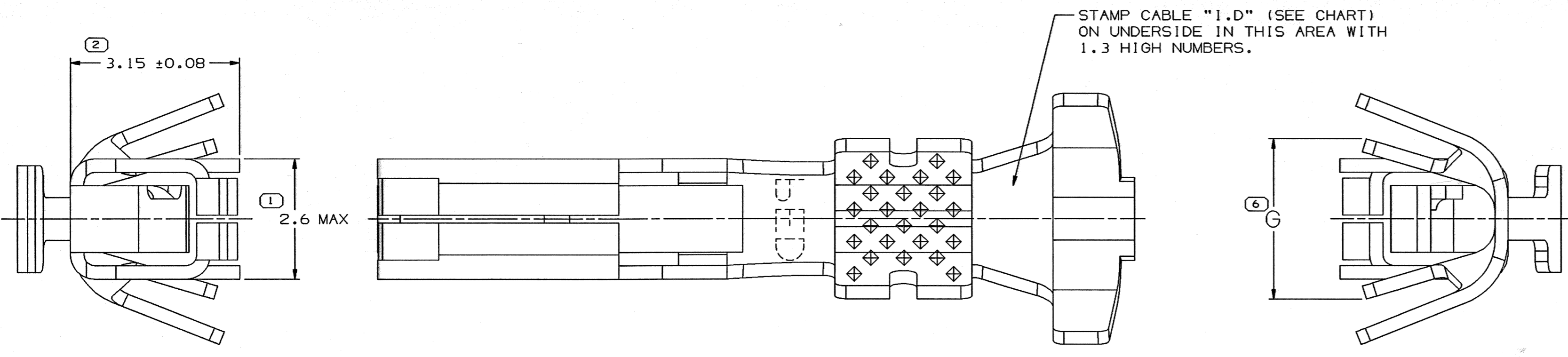


SYMBOL DEFINITION		MISSING SYMBOLS	
A DIMENSION WITHOUT AN INSPECTION REPORT SYMBOL DOES NOT REQUIRE INSPECTION. IT MAY BE CONTROLLED ON THE INDIVIDUAL COMPONENT DRAWING.	TOTAL NO OF INSPECTIONS REQUIRED	NO MISSING SYMBOL NUMBER	
	6		
	LAST NO. USED		
	6		

DWG STATUS					REVISION HISTORY		AUTH	
DATE	STG	REV	N/P	CHG	ZONE			
22SE04	R	01	-	-		12110236 - REDRAWN TO PD		258511

ADD: 'OR EQUIVALENT' TO DIM 283 & NOTE 2.  
 UPDATE MATERIAL CODE: M3634 WAS M3615

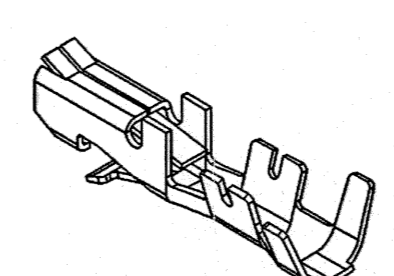
275905



TEMPORARY PRODUCTION PRINT  
 275905  
 APPROVED BY [Signature] DATE 12/21/05  
 APPROVED BY [Signature] DATE 12/21/05

NOTES

- UNLESS OTHERWISE SPECIFIED AND/OR INDICATED: DIMENSIONS ARE TO FACE OF VIEW SHOWN AND AUTOMATICALLY ROUNDED BY COMPUTER FOR INSPECTION (SEE MATH MODEL FOR PRECISE DIMENSIONS). FOR ALL OTHER DIMENSIONS NOT SHOWN BUT REQUIRED FOR TOOL BUILD, SEE MATH MODEL FOR PRECISE TOOL PATH DATA.
- TERMINAL ENGAGE 3N TO 10N TERMINAL DISENGAGE 2N TO 8N WHEN MATED TO A 0.81 THICK X 1.50 WIDE HARDENED STEEL BLADE.
- RECOMMENDED MATING BLADE:  
 WIDTH :1.50  
 THICKNESS :0.825 ±0.035  
 LENGTH :7.00



VIEW SCALE DOES NOT REFLECT ACTUAL PART SIZE

PART DRAWING	
STYLE	
VOLUME (CM <sup>3</sup> )	DISTR CODE
UNLESS OTHERWISE SPECIFIED THIS DOCUMENT IS IN ACCORDANCE WITH ASME Y14.5M-1994 AS AMENDED BY THE GM GLOBAL DIMENSIONING AND TOLERANCING ADDENDUM-2001. SEPARATE PATTERNS OF FEATURES MAY BE GAGED SEPARATELY REGARDLESS OF DATUM REFERENCES.	
ALL DIMENSIONS ARE IN MILLIMETERS	
THIRD ANGLE PROJECTION	DO NOT SCALE
USE MATH DATA	

DELPHI	
DELPHI PACKARD ELECTRIC SYSTEMS WARREN, OH	
DR	DATE
APVD1 JOSE LUIS TAPIA	22SE04
APVD2 FRANCISCO KOPCA	22SE04
APVD3 BRIAN GROUBERT	24SE04
APVD4	
APVD5	
SUBSTANCES OF CONCERN AND RECYCLED CONTENT PER DELPHI 10949001	
MATERIAL SEE CHART	
DRAWING NAME TAXI TERM M/P 150	
DRAWING NUMBER 12085010	
SIZE A1	SCALE 20:1
FRAME NO 1 OF 1	SHEET NO 1 OF 1
STG R	REV 01

+	+	+	+	0.254 X 27.3	+	121H0236	DT	+	+	M3615	1.0 - 0+8 - 0.5	2.40 + 2.03	60	B
PAR#	NO	REV	N#P	MAT'L#	SIZE	MAT'L#	SPEC	PAR#	NO	REV	N#P	STATUS	MAT'L#	SPEC
UNPLATED														
PLATED														
CABLE														