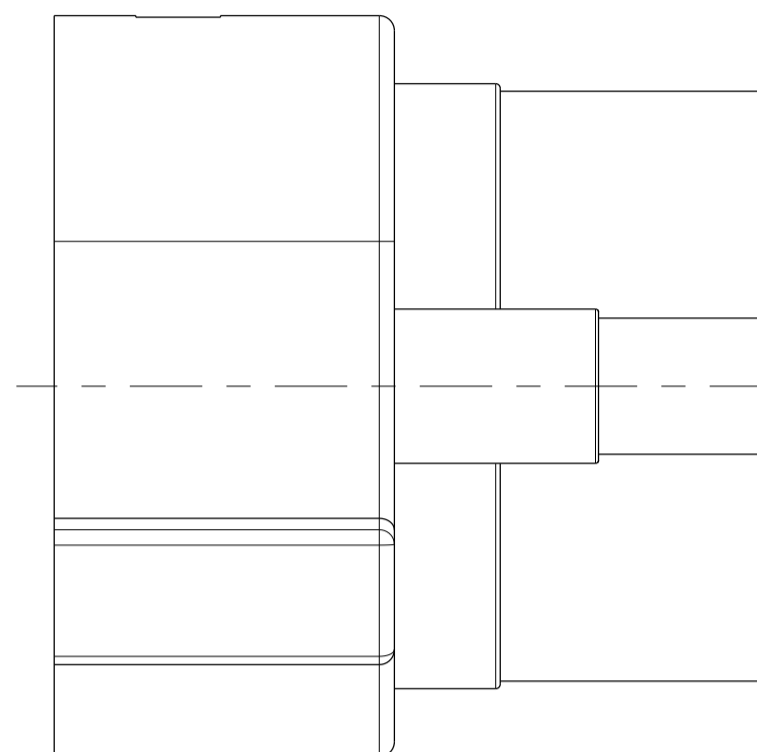
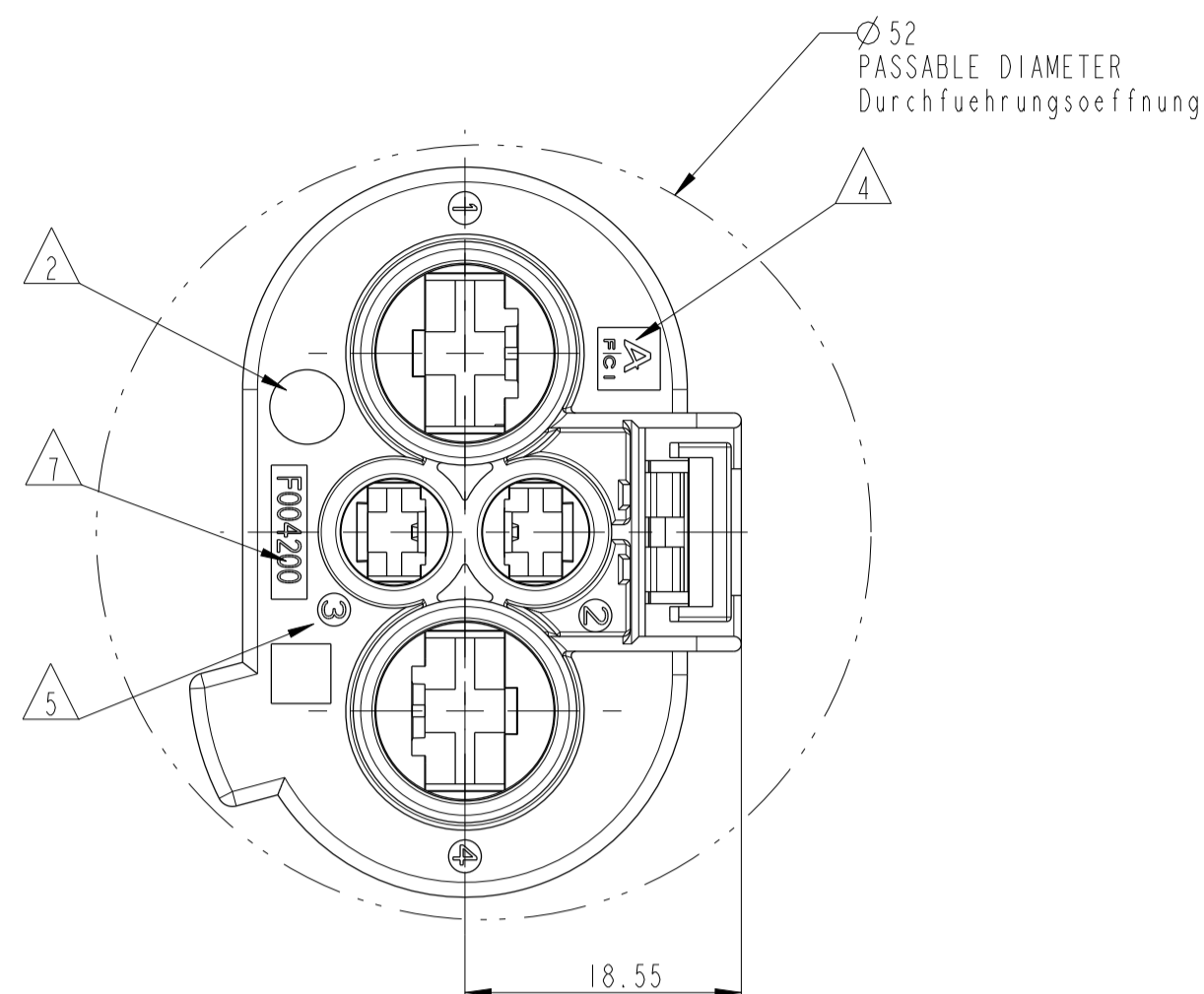
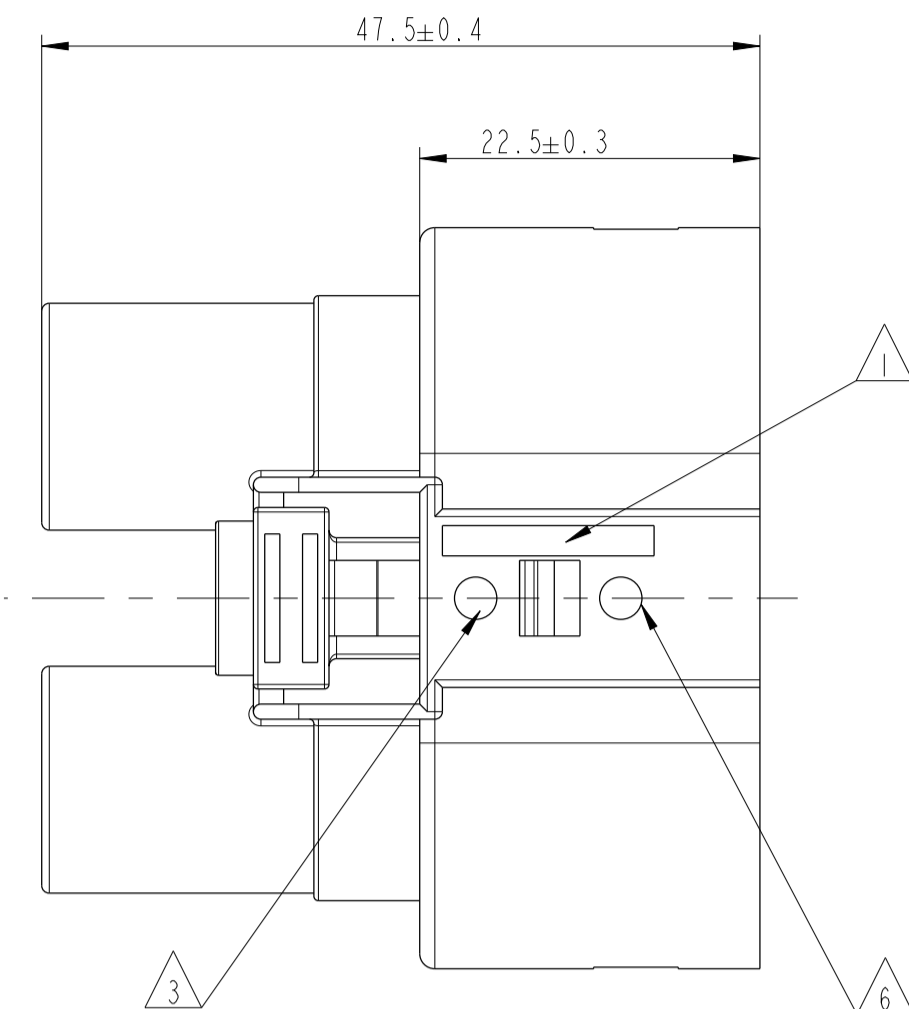
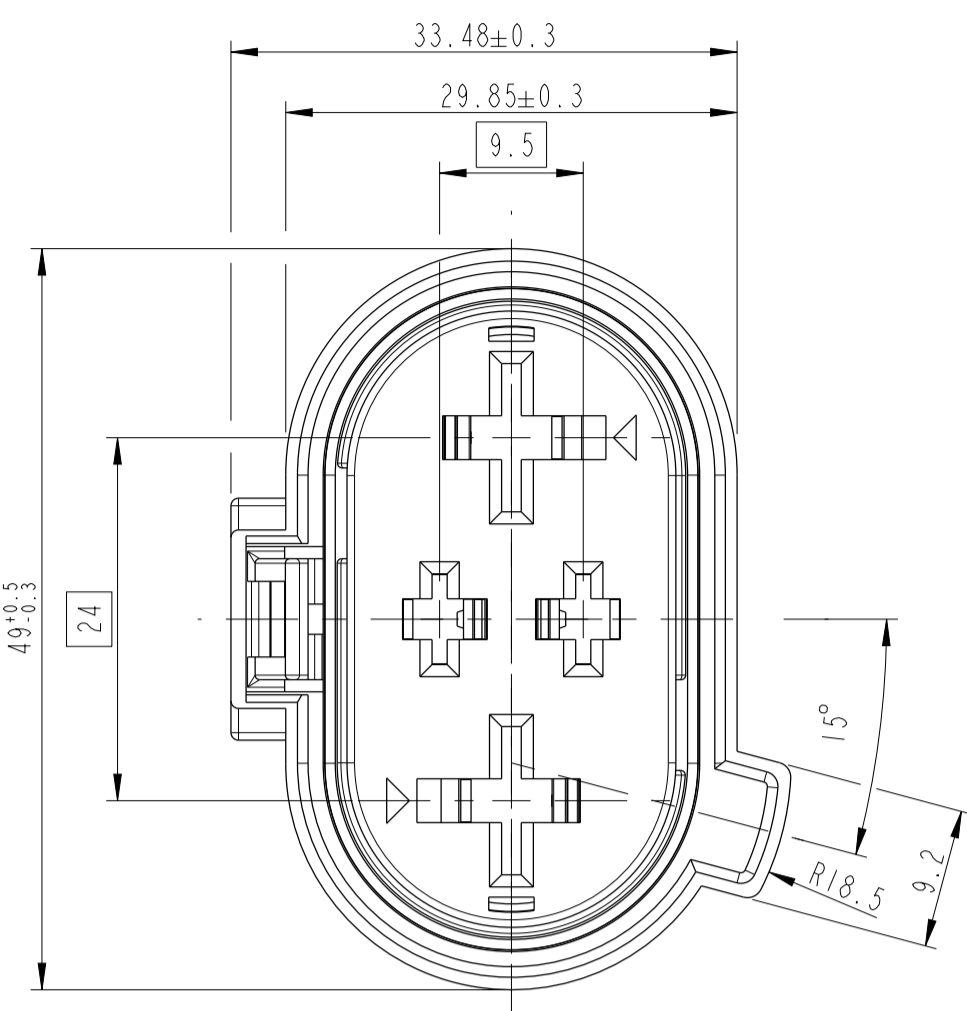
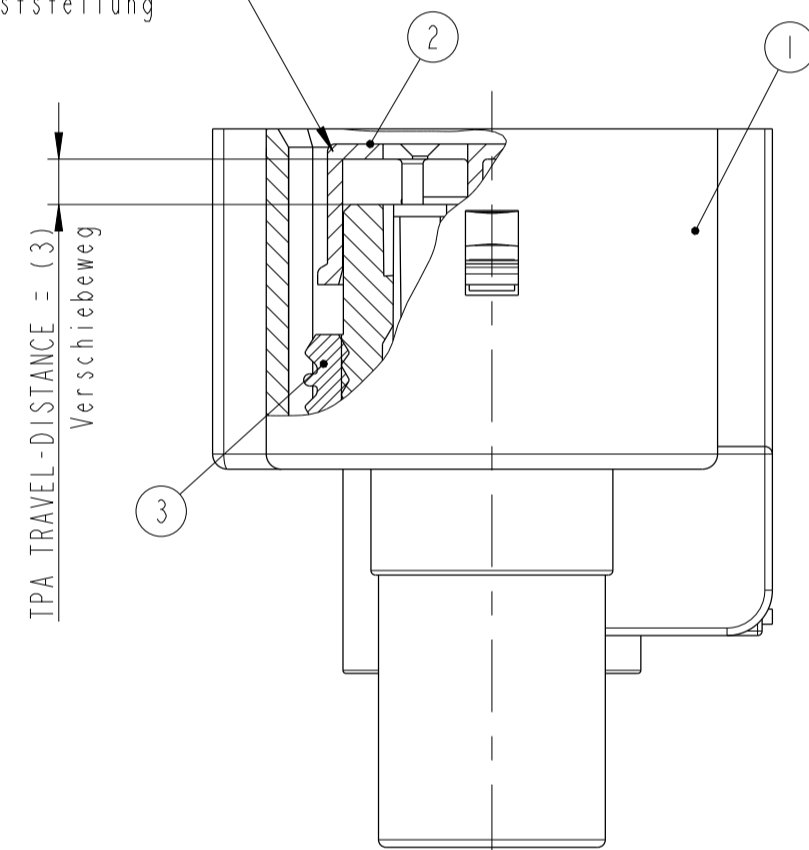


M
L
I
H
G
F
E
D
C
B
A



CONDITION BY DELIVERY
TPA IN PRELOCKED POSITION
Lieferzustand
TPA in Vorraststellung

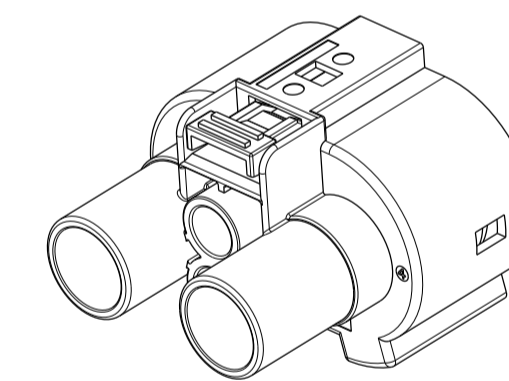


NOTES / Bemerkungen:	
1	MATERIAL IDENTIFICATION CODE ACC.VDA260 Materialkennzeichnung nach VDA260
2	DATA CLOCK Datumuhr
3	CAVITY MARK Nestmarkierung
4	MVL COMPANY LOGO MVL Firmenlogo
5	CAVITY-NO. Kammernummerierung
6	REVISION INDEX SEE TABLE Aenderungsindeks siehe Tabelle
7	MVL ASSEMBLY PART-NO. MVL Bauteil-Nr.
8	ONLY THE GERMAN LANGUAGE SHALL BE BINDING Nur der deutsche Text ist bindend

PART-NO. Teile-Nr.	REV INDEX	PART-NO. Teile-Nr.	REV INDEX	ITEM POSITION	QUANTITY Menge	NAME Benennung	MATERIAL Material	COLOUR Farbe	MVL	DELPHI
F004200	C	13873952	01	3	1	SEAL Dichtung	SILICON	ORANGE orange		
				2	1	TPA Kontaktsicherung	PBT GF15HR	VIOLET violett	F353200 93320100C	33500406
				1	1	HOUSING 4-WAY Gehaeuse 4-pol	PBT GF15HR	BLACK schwarz		
										COUNTER PART Gegenstueck

DESCRIPTION Benennung	MVL PART-NO. MVL Teilennr.	DELPHI PART-NO. DELPHI Teilennr.	WIRE CORSS SECTION (mm²) Leitungsquerschnitt(mm²)	MATERIAL / SURFACE Werkstoff / Oberflaeche	MVL PART-NO. MVL Teilennr.	DELPHI PART-NO. DELPHI Teilennr.	FOR INSULATION Ø (mm) Fuer Isolations Ø(mm)	COLOR Farbe	CRIMP SPEC Crimpspezifikation
2x FEMALE TERMINAL "BOX" 9.5mm	Ag VERSION	6 007 04 72	13667458	>6.00 - 10.00	CONTACT BODY:Grundfeder: Cu Cr Ti Si / Ag (K75) LOCKING SPRING: Ueberfeder: X10 Cr Ni 18 8 / BLANK	6 099 33 04	10889241	5.40 - 6.50	YELLOW gelb
		6 007 04 62	13960627	>4.00 - 6.00	CONTACT BODY:Grundfeder: Cu Cr Ti Si / Sn (K75) LOCKING SPRING: Ueberfeder: X10 Cr Ni 18 8 / BLANK	6 099 33 01	15327788	4.00 - 5.00	BLACK schwarz
		6 007 04 52	33510888	>2.50 - 4.00		6 099 33 08	13546490	3.40 - 4.40	GREEN gruen
	Sn VERSION	6 007 04 71	10780234	>6.00 - 10.00	CONTACT BODY:Grundfeder: Cu Cr Ti Si / Sn (K75) LOCKING SPRING: Ueberfeder: X10 Cr Ni 18 8 / BLANK	6 099 33 04	10889241	5.40 - 6.50	YELLOW gelb
		6 007 04 61	10780235	>4.00 - 6.00		6 099 33 01	15327788	4.00 - 5.00	BLACK schwarz
		6 007 04 51	10780236	>2.50 - 4.00		6 099 33 08	13546490	3.40 - 4.40	GREEN gruen
2x FEMALE TERMINAL "BOX" 4.8mm	Ag VERSION	6 004 04 52	15491921	>2.50 - 4.00	CONTACT BODY:Grundfeder: Cu Cr Si Ti / Ag Rm 480 N/mm² LOCKING SPRING: Ueberfeder: X12 Cr Ni 17 7k / BLANK	6 099 26 06	12186636	3.40 - 3.70	WHITE weiss
		6 004 04 42	13959082	>1.00 - 2.50	CONTACT BODY:Grundfeder: Cu Cr Si Ti / Sn Rm 480 N/mm² LOCKING SPRING: Ueberfeder: X12 Cr Ni 17 7k / BLANK	6 099 26 04	15443869	2.10 - 3.00	YELLOW gelb
		6 004 04 32	13688646	>0.50 - 1.00		6 099 26 07	10788269	1.40 - 2.10	GREEN gruen
	Sn VERSION	6 004 04 51	10811290	>2.50 - 4.00	CONTACT BODY:Grundfeder: Cu Cr Si Ti / Sn Rm 480 N/mm² LOCKING SPRING: Ueberfeder: X12 Cr Ni 17 7k / BLANK	6 099 26 06	12186636	3.40 - 3.70	WHITE weiss
		6 004 04 41	10811291	>1.00 - 2.50		6 099 26 04	15443869	2.10 - 3.00	YELLOW gelb
		6 004 04 31	10811289	>0.50 - 1.00		6 099 26 07	10788269	1.40 - 2.10	GREEN gruen

3D VIEW / 3D Ansicht
M 1:1



CUSTOMER NEUTRAL VERSION
Kundenneutrale Variante

13-00543	AF 11-16	REDRAWN IN DELPHI TITLE BLOCK, SEE REV. "C" FOR PREVIOUS CHANGES BOM TABLE MODIFIED AND DELPHI P/N
ECH-NO. ZEICHEN-NR.	POSITION	CHANGE DESCRIPTION AENDERUNGSBESCHREIBUNG
PROJECT SPEC. PROJEKT-SPEZ.	PACKAGING SPEC. VERPACKUNG-SPEZ.	APPLICATION SPEC. ANWENDUNG-SPEZ.
		9 902 15 20
COPYRIGHT DELPHI CORPORATION AND/OR ITS AFFILIATES. ALL RIGHTS RESERVED. REVISED THIS DRAWING IS THE PROPERTY OF DELPHI CORPORATION AND/OR ITS AFFILIATES. NO PART OF THIS DRAWING IS TO BE REPRODUCED OR TRANSMITTED IN ANY FORM OR BY ANY MEANS, ELECTRONIC OR MECHANICAL, INCLUDING PHOTOCOPYING, RECORDING, OR BY ANY INFORMATION STORAGE AND RETRIEVAL SYSTEM, WITHOUT EXPRESS WRITTEN PERMISSION FROM DELPHI CORPORATION. DELPHI IS A REGISTERED TRADEMARK OF DELPHI CORPORATION.		
TOLERANCES TOLERANZEN	±0.2 ±2*	MATERIAL : SEE TABLE MATERIAL : SEE TABLE
CONTRACT NO. VERTRAGS-NR.	SEE TABLE	APPROX. WEIGHT: 27.5g
DO NOT REASURE DRAWING NICHT WIEDERHERSTELLEN		ECO LTR: C44 STANDARD: GN
CREATED BY GEZEHLT VON	DATE DATUM	NAME NAME
20150915		ASAP SWANBY
20150915		Subashini ANAPU
20150915		M SCHINDHELM
20150915		CHR HOERHORN
20150915		CHR HOERHORN
20150915		CHR HOERHORN
20150915		CHR HOERHORN
DRAWING NUMBER ZEICHEN-NUMMER		
PCC0573522		
DRAWING STATUS ZEICHENSTATUS		
SERIAL RELEASED		
DRAWING SCALE ZEICHENMASSSTAB		
None		

EUR CON. 112 FEB 05X

16 15 14 13 12 11 10 9 8 7 6 5 4 3 2 1