

MATERIAL SPECIFICATIONS

RECOMMENDED
 BASE METAL - CDA-210, GILDING, EXTRA SPRING TEMPER
 PLATING - 0.0050±0.0025 MM THICK TIN

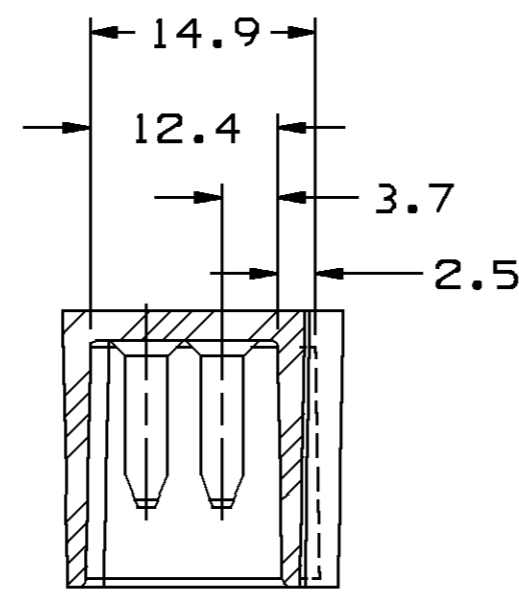
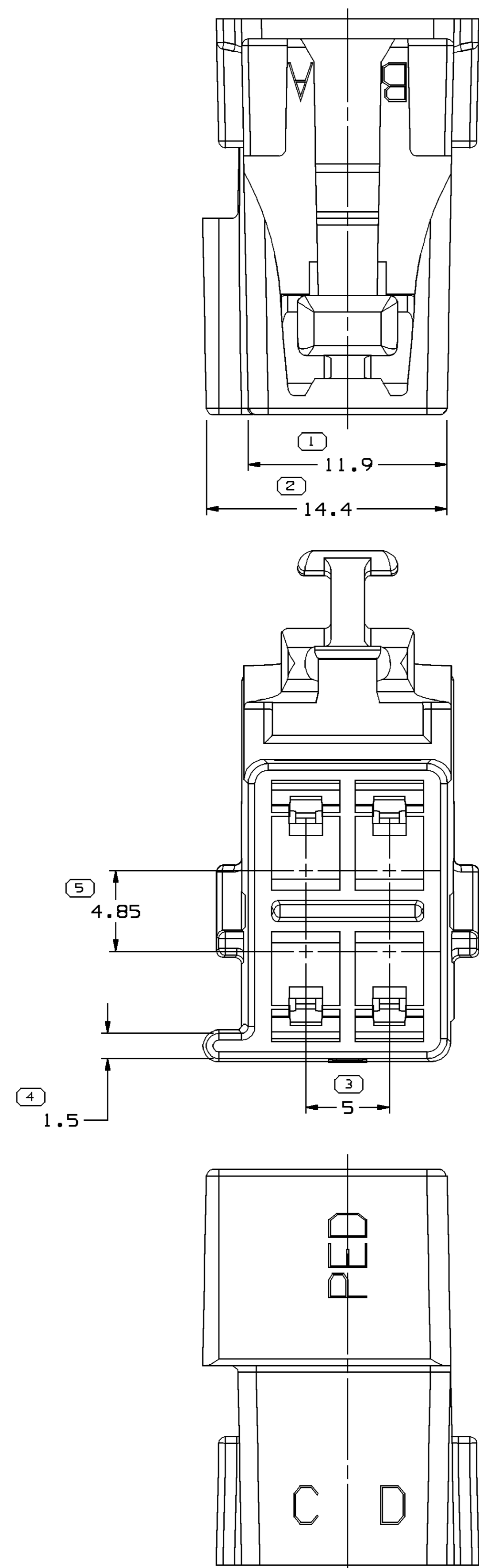
MINIMUMS

ELECTRICAL CONDUCTIVITY - ≥ 20% IACS AT 20°C. USE OF A MATERIAL WITH CONDUCTIVITY < 20% IACS MUST BE APPROVED BY PACKARD ELECTRIC MATERIALS ENGINEERING.

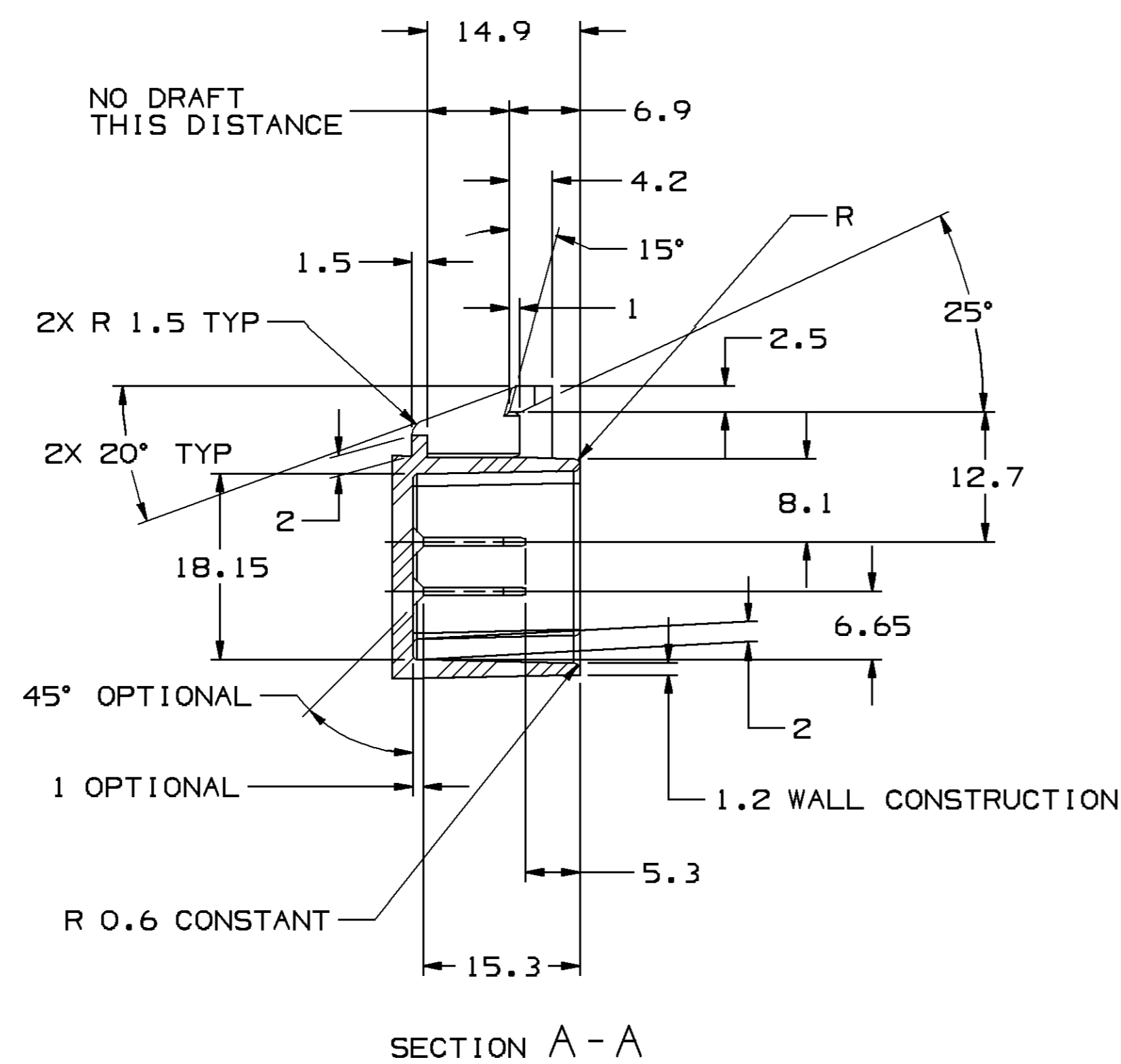
TENSILE STRENGTH - 407 MPa

PLATING - FOR LOW ENERGY (≤ 5V) AND NON-PASSENGER COMPARTMENT POWER CIRCUITS, 0.0050±0.0025 MM THICK TIN. FOR MATERIALS CONTAINING 10% OR MORE ZINC, AN UNDERPLATE OF COPPER 0.0050±0.0025 MM THICK IS REQUIRED.

MATING BLADE INFORMATION
 SCALE 8:1



SECTION B-B

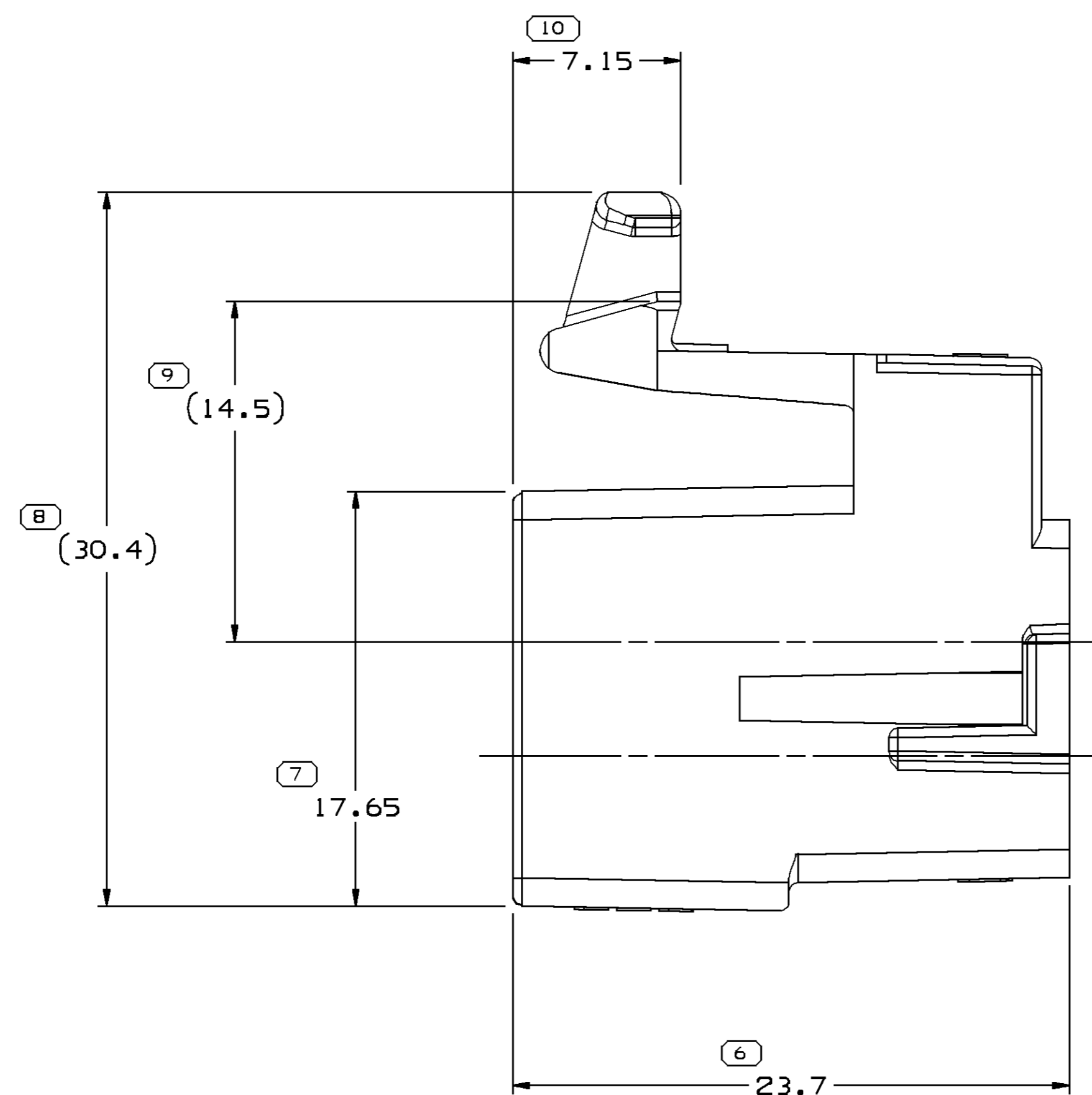


SECTION A-A

NOTES:

- UNLESS OTHERWISE SPECIFIED AND/OR INDICATED:
 DIMENSIONS ARE TO FACE OF VIEW SHOWN AND AUTOMATICALLY ROUNDED BY COMPUTER FOR INSPECTION. (SEE MATH MODEL FOR PRECISE DIMENSION) FOR ALL OTHER DIMENSIONS NOT SHOWN BUT REQUIRED FOR TOOL BUILD, SEE MATH MODEL FOR PRECISE TOOL PATH DATA. ALL RADII 0.4
 DRAFT IS 1° ON ALL OUTSIDE SURFACES
- RECOMMENDED MATERIAL - GLASS FILLED NYLON OR POLYESTER.
- WHEN USING THIS INFORMATION FOR A NEW DESIGN, REQUEST THE LATEST COPY OF THIS PRINT FROM DELPHI-P.

MATING CONNECTOR INFORMATION
 SCALE 2:1

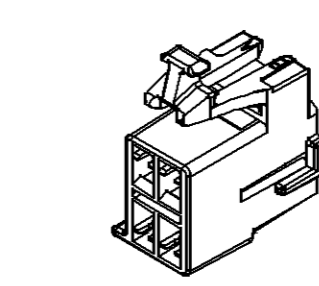


NOTES:

- UNLESS OTHERWISE SPECIFIED AND/OR INDICATED:
 DIMENSIONS ARE TO FACE OF VIEW SHOWN AND AUTOMATICALLY ROUNDED BY COMPUTER FOR INSPECTION (SEE MATH MODEL FOR PRECISE DIMENSIONS). FOR ALL OTHER DIMENSIONS NOT SHOWN BUT REQUIRED FOR TOOL BUILD, SEE MATH MODEL FOR PRECISE TOOL PATH DATA.
- MATERIAL RECYCLING CODE PER ISO 11469. (2,3)X(0,1) RAISED CHARACTERS AS SHOWN TO BE LOCATED ON ANY EXTERIOR SURFACE. OPTIONAL CONSTRUCTION TO BE NO MATERIAL RECYCLING CODE.
- REFERENCE MATING COMPONENTS OR EQUIVALENT:
 CONNECTOR 12129135
- THIS PART ACCEPTS THE FOLLOWING COMPONENTS OR EQUIVALENT:
 TERMINAL 12110844
 MAX INSULATION CRIMP MUST BE LESS THAN 3.6 HIGH AND 4 WIDE.
 SECONDARY TERMINAL LOCK 12129138
 MAX CABLE O.D. 3.4
 CONNECTOR POSITION ASSURANCE LOCK 12052834
- (2,3)X(0,1) RAISED DELPHI CORPORATE BRAND TO BE LOCATED ON ANY EXTERIOR SURFACE, PREFERABLY VISIBLE AT FINAL ASSEMBLY. OPTIONAL CONSTRUCTION TO BE "PED" OR NO LOGO.

SYMBOL DEFINITION		TOTAL NO OF INSPECTIONS REQUIRED	MISSING SYMBOLS
A DIMENSION WITHOUT AN INSPECTION REPORT SYMBOL DOES NOT REQUIRE INSPECTION. IT MAY BE CONTROLLED ON THE INDIVIDUAL COMPONENT DRAWING.		10	NO MISSING SYMBOL NUMBER
		LAST NO. USED	10

DWG STATUS		ZONE		REVISION HISTORY		AUTH	DR	AP/VD
DATE	STG	REV	N/P	CHG				
23SE03	R	01	-	-	15479020	RELEASED	246011	TLD/WLM
23SE03	R	02	-	-	12129136	WAS SEPARATE DWG	246018	TLD/WLM
14SE05	R	03	-	-	15479020	- MAT'L SPEC WAS M3592002	272264	MDH/AUG/EST
12MR07	R	04	-	-	15479020	- OBSOLETE	400766	JBD/JAA/JES



PART DRAWING	
STYLE	
VOLUME 10/1	DISTR CODE
	D
UNLESS OTHERWISE SPECIFIED THIS DOCUMENT IS IN ACCORDANCE WITH ASME Y14.5M-1994 AS MODIFIED BY THE IN-SITU DIMENSIONING AND TOLERANCE ADDENDUMS. SEPARATE MATING OR MATED PARTS MAY BE DIMENSIONED SEPARATELY PER DWTM REFERENCES.	
ALL DIMENSIONS ARE IN MILLIMETERS	
REFERENCE	
(N/A) PROCESS SENSITIVE DIMENSION	
DIMENSIONS ENCLOSED IN () INDICATE REFERENCE DIMENSIONS AND NO TOLERANCE LIMITS ARE ESTABLISHED	
DIMENSIONAL RANGE (MM)	CHART
FROM 0	> 20
TO 20	> 30
	> 40
	> 50
	> 60
	> 70
	> 80
	> 90
	> 100
TOLERANCE UNLESS OTHERWISE SPECIFIED	
(±0.15) ±0.2	(±0.3) ±0.4
(±0.1) ±0.2	(±0.4) ±0.5
ANGULAR TOLERANCE	±2°

DELPHI
 DELPHI PACKARD ELECTRICAL/ELECTRONIC ARCHITECTURE
 WYREN, OH

DR	DATE
AP/VD1 TERRI DAVIS	23SE03
AP/VD2 TERRI DAVIS	23SE03
AP/VD3 WILLIAM MEASE	24SE03
AP/VD4	
AP/VD5	

SUBSTANCES OF CONCERN AND RECYCLED CONTENT PER DELPHI 10949001

MATERIAL SEE CHART

DRAWING NAME
 TAXI CONN F M/P 280 FLXLK

DRAWING NUMBER
 15479019

SIZE	SCALE	FRAME NO	SHEET NO	STG	REV	N/P
A0	5:1	1	1	1	04	-

PART NO	REV	N/P	STATUS	MATERIAL SPECIFICATION AND COLOR
15479020	02	AA	OBSOLETE	M3592024 PA66 HS IM CRM
12129136	C5	-	-	M3592001 PA66 HS IM BLK