

1-968880-1 ! PENDING OBSOLESCENCE

AMP MCP Connector System

TE Internal #: 1-968880-1

TE Internal Description: AMP MCP 2.8, CONTACT

AMP MCP, RECEPTACLE AND TAB

[View on TE.com >](#)



All AMP MCP, RECEPTACLE AND TAB (125)

Product Compliance

[For compliance documentation, visit the product page on TE.com>](#)

EU RoHS Directive 2011/65/EU	Compliant
EU ELV Directive 2000/53/EC	Compliant
China RoHS 2 Directive MIIT Order No 32, 2016	No Restricted Materials Above Threshold
EU REACH Regulation (EC) No. 1907/2006	Current ECHA Candidate List: JAN 2022 (223) Candidate List Declared Against: JAN 2022 (223) Does not contain REACH SVHC
Halogen Content	Low Halogen - Br, Cl, F, I < 900 ppm per homogenous material. Also BFR/CFR/PVC Free
Solder Process Capability	Not applicable for solder process capability

Product Compliance Disclaimer

This information is provided based on reasonable inquiry of our suppliers and represents our current actual knowledge based on the information they provided. This information is subject to change. The part numbers that TE has identified as EU RoHS compliant have a maximum concentration of 0.1% by weight in homogenous materials for lead, hexavalent chromium, mercury, PBB, PBDE, DBP, BBP, DEHP, DIBP, and 0.01% for cadmium, or qualify for an exemption to these limits as defined in the Annexes of Directive 2011/65/EU (RoHS2). Finished electrical and electronic equipment products will be CE marked as required by Directive 2011/65/EU. Components may not be CE marked. Additionally, the part numbers that TE has identified as EU ELV compliant have a maximum concentration of 0.1% by weight in homogenous materials for lead, hexavalent chromium, and mercury, and 0.01% for cadmium, or qualify for an exemption to these limits as defined in the Annexes of Directive 2000/53/EC (ELV). Regarding the REACH Regulation, the information TE provides on SVHC in articles for this part number is based on the latest European Chemicals Agency (ECHA) 'Guidance on requirements for substances in articles' posted at this URL: <https://echa.europa.eu/guidance-documents/guidance-on-reach>

Compatible Parts



TE Part # CAT-AM705-CH8173
AMP MCP, UNSEALED CONNECTOR HOUSING



TE Part # 2305570-1
TERMINAL CUTTER, SIDE FEED



TE Part # 1-1452568-3
ACTION PIN 2,8X0,6



TE Part # CAT-M9194-CH8172
MULTILOCK, CONNECTOR HOUSING



TE Part # CAT-A11-CH8172
1.5/2.8 CONNECTOR SYSTEM, HOUSING



TE Part # 1718149-1
AMP MCP 2.8 SOCKET HSG 16 POS. ASSY



TE Part # CAT-T319-CH8172
TH/.025 CONNECTOR SYSTEM, HOUSING



TE Part # 1801567-1
MINIFUSE HOLDER, 8 POS, MCP CONTACT



TE Part # 2-2151344-1
OCEAN_2.0 APPLICATOR-S-062F091O



TE Part # 2209893-1
BCM 14P MCP2.8 SOCKET



TE Part # 2209895-1
BCM 14P MCP2.8 COVER ASSY




TE Part # 2377672-1
SDE F MCP 2.8 22 ASSY

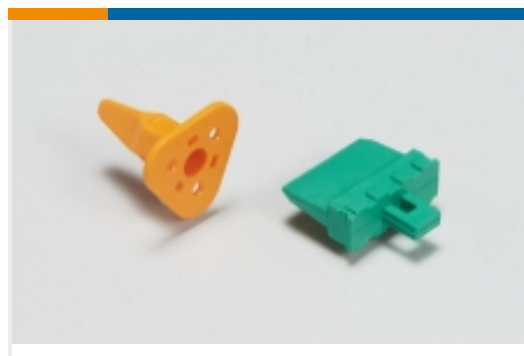


TE Part # 2377672-2
SDE F MCP 2.8 22 DIE SET


Also in the Series | AMP MCP Connector System




Automotive Connector Caps & Covers (24)



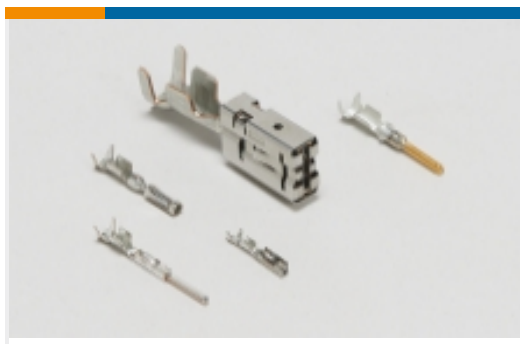
Automotive Connector Locks & Position Assurance(7)



Automotive Housings(352)



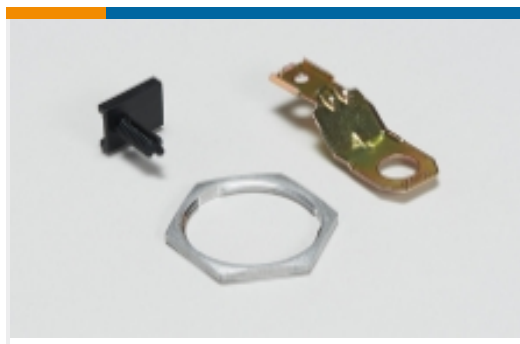
Automotive Seals & Cavity Plugs(6)



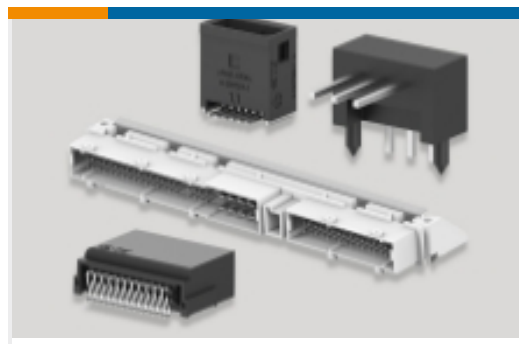
Automotive Terminals(125)



Insertion & Extraction Tools(13)



Other Automotive Connector Accessories(2)

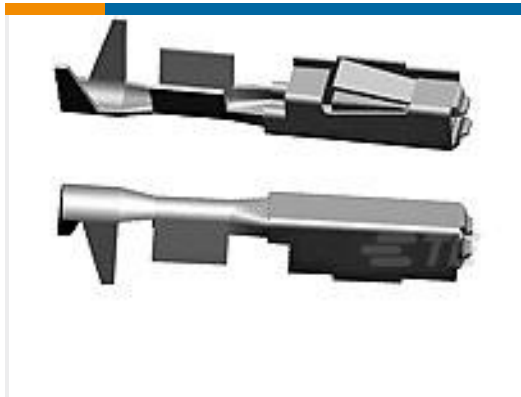


PCB Headers & Receptacles(29)

Customers Also Bought



TE Part #1924396-1
14P MCON 1.2 SCCM Inner Housing



TE Part #2141824-1
MQS0,63 Sn rec LL unseal. 0,13-0,17



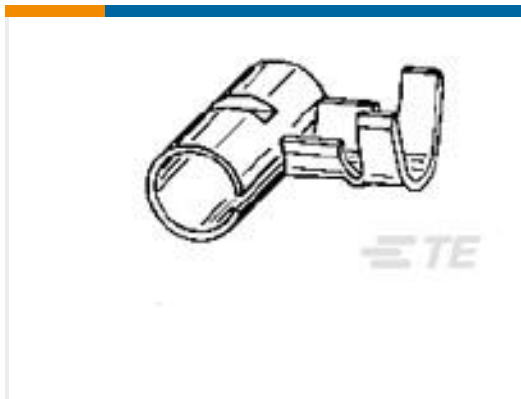
TE Part #927831-5
SPT REC 6.3 Contact SRC Ag



TE Part #638393-5
10P PLUG ASSY A KEY -W/ CPA



TE Part #2098067-2
Plug Assembly, Hybrid, BCM, IP2, B Key



TE Part #154740-1
PIN .175 DIA REC 20-16AWG PB



TE Part #1924880-1
GET, FEMALE TERMINAL, AGSN, 16



TE Part #1-2208021-1
22POS,0.64 GENER. Y,REC HSG,ASSY



TE Part #1564880-1
GET 0.64,FEMALE TERMINAL 0.13M



TE Part #2098380-1
20 POS HYBRID UNSEALED CAP KY-A STD CLIP

Documents

Product Drawings

[AMP MCP 2.8, CONTACT](#)

English

[AMP MCP 2.8, CONTACT](#)

English

CAD Files

Customer View Model

[ENG_CVM_1-968880-1_J3.3d_igs.zip](#)



English

Customer View Model

[ENG_CVM_1-968880-1_J3.3d_stp.zip](#)

English

Customer View Model

[ENG_CVM_1-968880-1_J3.2d_dxf.zip](#)

English

[3D PDF](#)

English

By downloading the CAD file I accept and agree to the [Terms and Conditions](#) of use.

Product Specifications

[Application Specification](#)

German

[Application Specification](#)

English

Product Environmental Compliance

[Product Compliance](#)

English

[Product Compliance](#)

English