

1-170291-1 ✓ ACTIVE

AMP

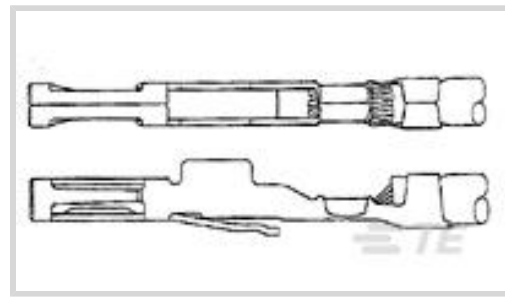
TE Internal #: 1-170291-1

Automotive Terminals, Receptacle, 22 – 20 AWG Wire Size, .3 – .5 mm<sup>2</sup> Wire Size, Tin (Sn) Interface Plating, Terminates To Wire

[View on TE.com >](#)



Terminals & Splices > Automotive Terminals



Terminal Type: **Receptacle**

Terminal Transmits: **0 – 24 A (Low Power)**

Wire Size: **.3 – .5 mm<sup>2</sup>**

Sealable: **No**

## Features

### Product Type Features

|                  |      |
|------------------|------|
| Receptacle Style | 180° |
| Sealable         | No   |

### Contact Features

|   |            |
|---|------------|
| Crimp Type                                | F-Crimp    |
| Terminal Type                             | Receptacle |
| Interface Plating                         | Tin (Sn)   |
| Contact Termination Area Plating Material | Tin (Sn)   |

### Termination Features

|                                    |       |
|------------------------------------|-------|
| Termination Method to Wire & Cable | Crimp |
| Product Terminates To              | Wire  |

### Dimensions

|                          |                                |
|--------------------------|--------------------------------|
| Wire Size                | .3 – .5 mm <sup>2</sup>        |
| Wire Size Search         | 20 AWG, 21 AWG, 22 AWG         |
| Wire Insulation Diameter | 1.4 – 2.41 mm [.055 – .095 in] |

### Usage Conditions

|                             |  |
|-----------------------------|--|
| Insulation Option           | Uninsulated  |
| Operating Temperature (Max) | 80 °C, 85 °C, 90 °C, 100 °C, 105 °C [176 °F][185 °F][194 °F][212 °F][221 °F] |
| Operating Temperature Range | -30 – 105 °C [-22 – 221 °F]  |



### Packaging Features

|                    |      |
|--------------------|------|
| Packaging Method   | Reel |
| Packaging Quantity | 8000 |

### Other

|                    |                      |
|--------------------|----------------------|
| Terminal Transmits | 0 – 24 A (Low Power) |
|--------------------|----------------------|

### Product Compliance

[For compliance documentation, visit the product page on TE.com>](#)

|   |   |
|---|---|
| EU RoHS Directive 2011/65/EU                  | Compliant   |
| EU ELV Directive 2000/53/EC                   | Compliant   |
| China RoHS 2 Directive MIIT Order No 32, 2016 | No Restricted Materials Above Threshold   |
| EU REACH Regulation (EC) No. 1907/2006        | Current ECHA Candidate List: JAN 2022 (223)<br>Candidate List Declared Against: JAN 2022 (223)<br>Does not contain REACH SVHC |
| Halogen Content                               | Low Halogen - Br, Cl, F, I < 900 ppm per homogenous material. Also BFR/CFR/PVC Free   |
| Solder Process Capability                     | Not applicable for solder process capability  |

#### Product Compliance Disclaimer

This information is provided based on reasonable inquiry of our suppliers and represents our current actual knowledge based on the information they provided. This information is subject to change. The part numbers that TE has identified as EU RoHS compliant have a maximum concentration of 0.1% by weight in homogenous materials for lead, hexavalent chromium, mercury, PBB, PBDE, DBP, BBP, DEHP, DIBP, and 0.01% for cadmium, or qualify for an exemption to these limits as defined in the Annexes of Directive 2011/65/EU (RoHS2). Finished electrical and electronic equipment products will be CE marked as required by Directive 2011/65/EU. Components may not be CE marked. Additionally, the part numbers that TE has identified as EU ELV compliant have a maximum concentration of 0.1% by weight in homogenous materials for lead, hexavalent chromium, and mercury, and 0.01% for cadmium, or qualify for an exemption to these limits as defined in the Annexes of Directive 2000/53/EC (ELV). Regarding the REACH Regulation, the information TE provides on SVHC in articles for this part number is based on the latest European Chemicals Agency (ECHA) 'Guidance on requirements for substances in articles' posted at this URL: <https://echa.europa.eu/guidance-documents/guidance-on-reach>

### Compatible Parts




TE Part # 2305570-1  
TERMINAL CUTTER, SIDE FEED



TE Part # 172021-2  
16 POS RCPT. HSG.



TE Part # 172047-2  
DLI HSG 20 POS MOD IV TYPE



TE Part # 1901760-1  
CCII DUAL LINE INTERLOCK CONN 22-20 ASSY



TE Part # 1901760-3  
CCII DUAL LINE INTERLOCK CONN 22-20 ASSY



TE Part # 2-2151243-1  
OC-PA-S-FM-070F0900-001-0239



TE Part # 2-2151243-2  
OC-PA-S-FA-070F0900-001-0239



TE Part # 2151243-1  
OC-AT-S-FM-070F0900-001-0239



TE Part # 2151243-2  
OC-AT-S-FA-070F0900-001-0239



TE Part # 7-2151243-7  
OC-070F0900-CRIMPTOOLINGKIT

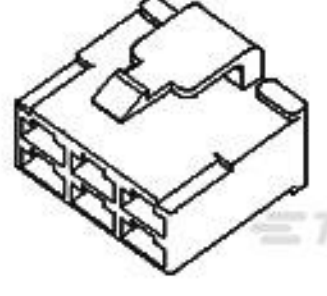
### Customers Also Bought



TE Part #T4142012121-000  
M12, FRONT MOUNT, MALE, A, 12P, SOLDER PCB



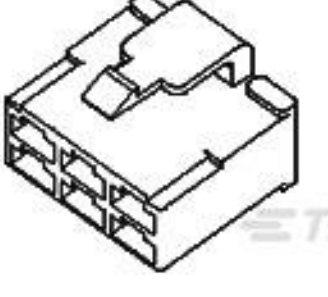
TE Part #1743205-1  
090III 3P PLUG HSG-FUEL PUMP




TE Part #171898-2  
FF 250 PLUG HSG 6P NYLON BLACK



TE Part #172500-1  
MIC MARK-2 PLUG HSG 17P



TE Part #172134-2  
FF 250 PLUG HSG 4P NYLON BLACK



TE Part #172773-1  
MIC MK-2 REC B TYPE



TE Part #172851-1  
20P LOCKING DLI DBL LOCK



TE Part #176122-6  
HYBRID CAP ASSY 64P



## Documents

### Product Drawings

#### DLI REC CONTACT

English

### CAD Files

#### Customer View Model

[ENG\\_CVM\\_1-170291-1\\_H1.3d\\_igs.zip](#)

English

#### Customer View Model

[ENG\\_CVM\\_1-170291-1\\_H1.3d\\_stp.zip](#)

English

#### Customer View Model

[ENG\\_CVM\\_1-170291-1\\_H1.2d\\_dxf.zip](#)

English

### 3D PDF

English

By downloading the CAD file I accept and agree to the [Terms and Conditions](#) of use.

### Product Specifications

#### Crimping Receptacle Contact for D.L.I. Connector

English

#### Application Specification

English

### Instruction Sheets

#### Customer Manual (non U.S.)

Japanese

#### Customer Manual (non U.S.)

English

#### DLI CONNECTORS

English

#### Customer Manual (non U.S.)

English

#### DLI CONNECTORS

English

1-170291-1

Automotive Terminals, Receptacle, 22 – 20 AWG Wire Size, .3 – .5 mm<sup>2</sup> Wire Size, Tin  
(Sn) Interface Plating, Terminates To Wire

