



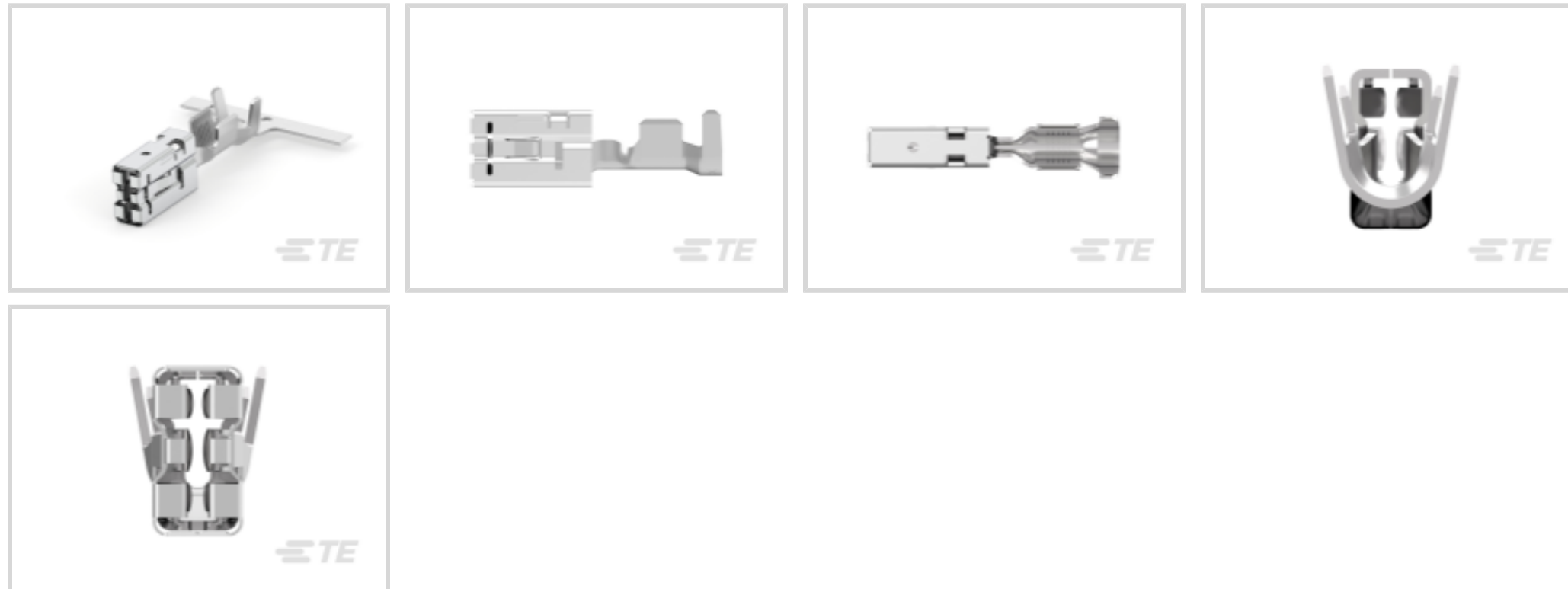
AMP | AMP MCP Connector System

TE Internal #: 1-967588-1

Automotive Terminals, Receptacle, Mating Tab Width 9.5 mm [.374 in], Tab Thickness .047 in [1.2 mm], 9 – 7 AWG Wire Size, AMP MCP Connector System

[View on TE.com >](#)

Terminals & Splices > Automotive Terminals > AMP MCP, RECEPTACLE AND TAB



Terminal Type: **Receptacle**

Mating Tab Width: **9.5 mm [.374 in]**

Mating Tab Thickness: **1.2 mm [.047 in]**

Terminal Transmits: **41 – 100 A (High Power)**

Wire Size: **9 – 7 AWG**

[All AMP MCP, RECEPTACLE AND TAB \(125\)](#)

Features

Product Type Features

Receptacle Style	180°
Sealable	No
Primary Locking Feature	Locking Lance

Contact Features

Typical Current Rating	65 A
Crimp Type	F-Crimp
Terminal Type	Receptacle
Mating Tab Width	9.5 mm [.374 in]
Mating Tab Thickness	1.2 mm [.047 in]
Interface Plating	Tin (Sn)
Contact Termination Area Plating Material	Tin (Sn)

Termination Features

--	--



Termination Method to Wire & Cable	Crimp
------------------------------------	-------

Product Terminates To	Wire
-----------------------	------

Dimensions

Wire Size	6 – 10 mm ²
-----------	------------------------

Wire Size Search	7 AWG, 8 AWG, 9 AWG
------------------	---------------------

Wire Insulation Diameter	4.6 – 6.4 mm [.18 – .25 in]
--------------------------	-----------------------------

Usage Conditions

Insulation Option	Uninsulated
-------------------	-------------

Operating Temperature (Max)	80 °C, 85 °C, 90 °C, 100 °C, 105 °C, 110 °C, 120 °C, 125 °C, 130 °C [176 °F][185 °F][194 °F][212 °F][221 °F][230 °F][248 °F][257 °F][266 °F]
-----------------------------	--

Operating Temperature Range	-40 – 130 °C [-40 – 266 °F]
-----------------------------	-----------------------------

Operation/Application

Compatible With Wire Base Material	Copper
------------------------------------	--------

Industry Standards

Agency/Standard	LV214
-----------------	-------

Packaging Features

Packaging Method	Reel
------------------	------

Packaging Quantity	600
--------------------	-----

Other

Terminal Transmits	41 – 100 A (High Power)
--------------------	-------------------------

Product Compliance

[For compliance documentation, visit the product page on TE.com>](#)

EU RoHS Directive 2011/65/EU	Compliant
------------------------------	-----------

EU ELV Directive 2000/53/EC	Compliant
-----------------------------	-----------

China RoHS 2 Directive MIIT Order No 32, 2016	No Restricted Materials Above Threshold
---	---

EU REACH Regulation (EC) No. 1907/2006	Current ECHA Candidate List: JAN 2022 (223) Candidate List Declared Against: JAN 2022 (223) Does not contain REACH SVHC
--	---

Halogen Content	Low Halogen - Br, Cl, F, I < 900 ppm per homogenous material. Also BFR/CFR/PVC
-----------------	--

Free


Solder Process Capability

Not applicable for solder process capability

Product Compliance Disclaimer

This information is provided based on reasonable inquiry of our suppliers and represents our current actual knowledge based on the information they provided. This information is subject to change. The part numbers that TE has identified as EU RoHS compliant have a maximum concentration of 0.1% by weight in homogenous materials for lead, hexavalent chromium, mercury, PBB, PBDE, DBP, BBP, DEHP, DIBP, and 0.01% for cadmium, or qualify for an exemption to these limits as defined in the Annexes of Directive 2011/65/EU (RoHS2). Finished electrical and electronic equipment products will be CE marked as required by Directive 2011/65/EU. Components may not be CE marked. Additionally, the part numbers that TE has identified as EU ELV compliant have a maximum concentration of 0.1% by weight in homogenous materials for lead, hexavalent chromium, and mercury, and 0.01% for cadmium, or qualify for an exemption to these limits as defined in the Annexes of Directive 2000/53/EC (ELV). Regarding the REACH Regulation, the information TE provides on SVHC in articles for this part number is based on the latest European Chemicals Agency (ECHA) 'Guidance on requirements for substances in articles' posted at this URL: <https://echa.europa.eu/guidance-documents/guidance-on-reach>

Compatible Parts



TE Part # CAT-L489-CH8172
LEAVYSEAL HOUSINGS



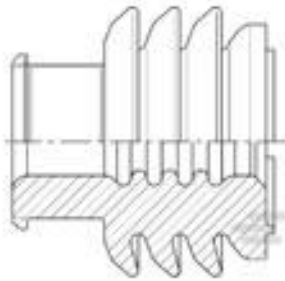
TE Part # CAT-AM705-CH8173
AMP MCP, UNSEALED CONNECTOR HOUSING



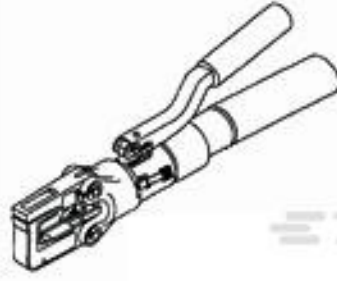
TE Part # CAT-T4827-T273
TIMER, RECEPTACLE AND TAB



TE Part # 1355437-1
MCP9,5 EINZELDICHTG



TE Part # 1355437-2
MCP9,5 EINZELDICHTG



TE Part # 539783-5
DIE MCP 9,5 6MM



TE Part # 1385368-3
HDM 9SAPR200F300F G



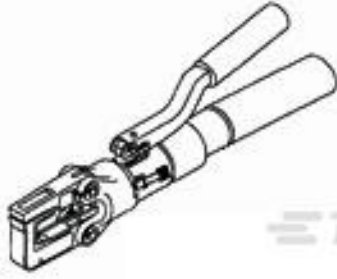
TE Part # 1855598-3
HDM/FA SAPR.200F.300F BENCH G CUT



TE Part # 2-2266642-2
OCEAN_2.0_APPLICATOR-S-200F300F



TE Part # 2266642-2
OCEAN_2.0_APPLICATOR-S-200F300F



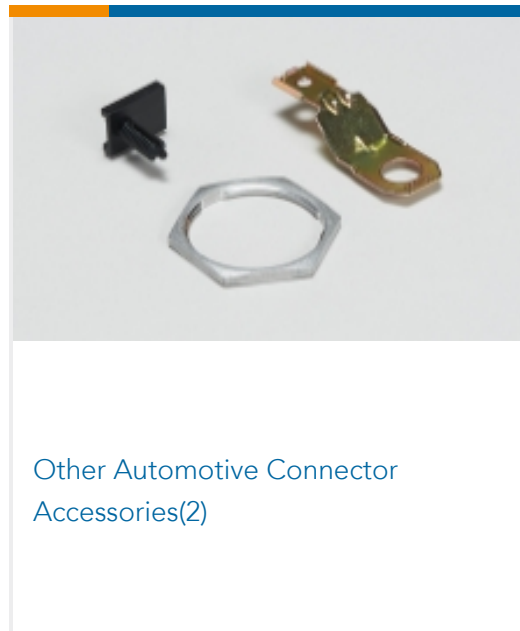
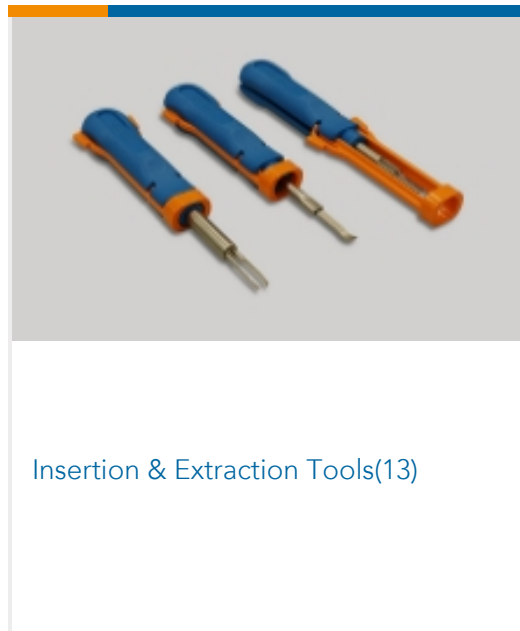
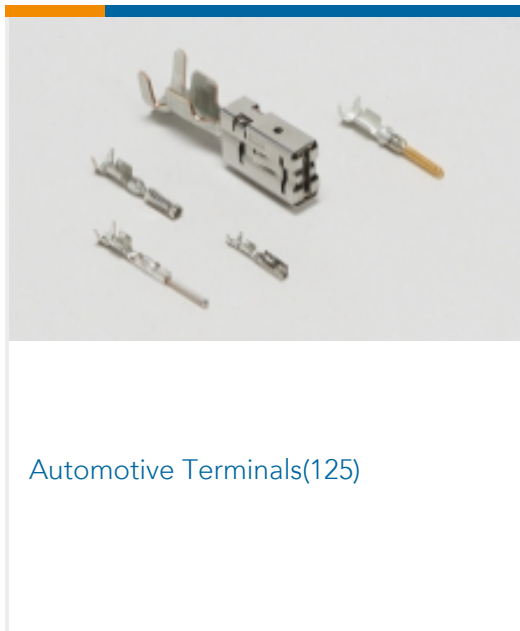
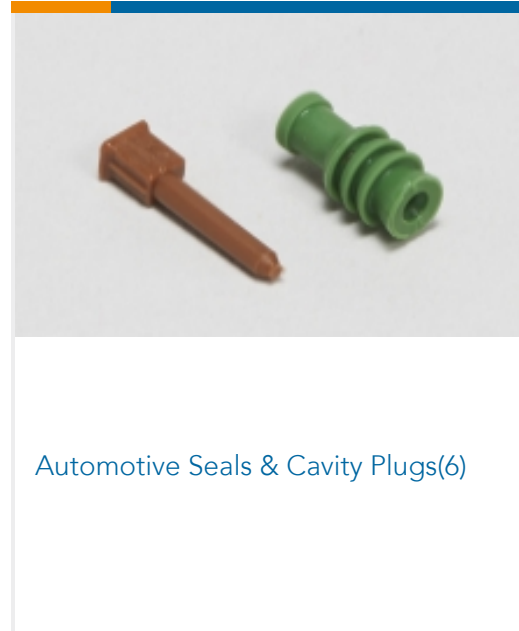
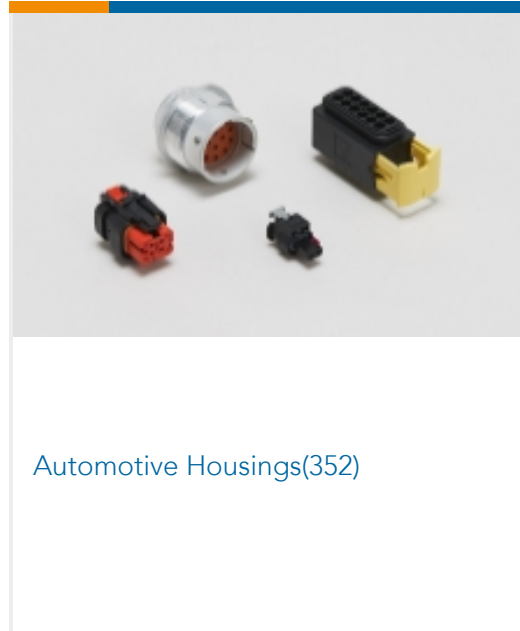
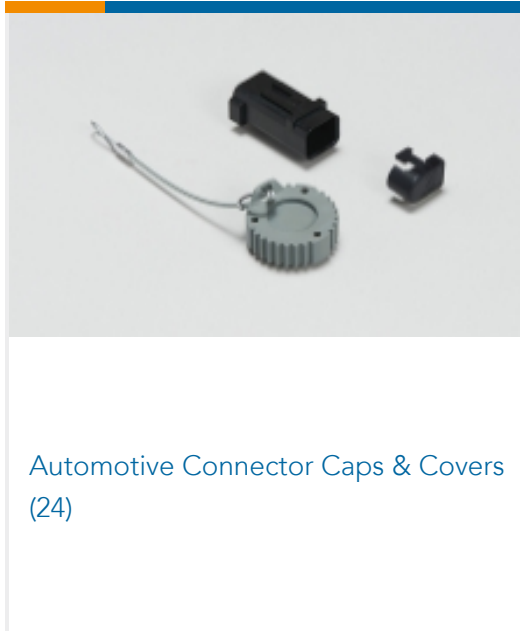
TE Part # 539783-6
DIE MCP 9,5 10MM



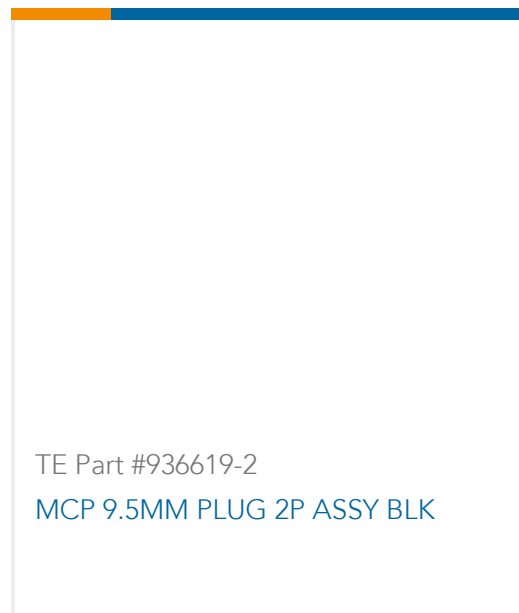
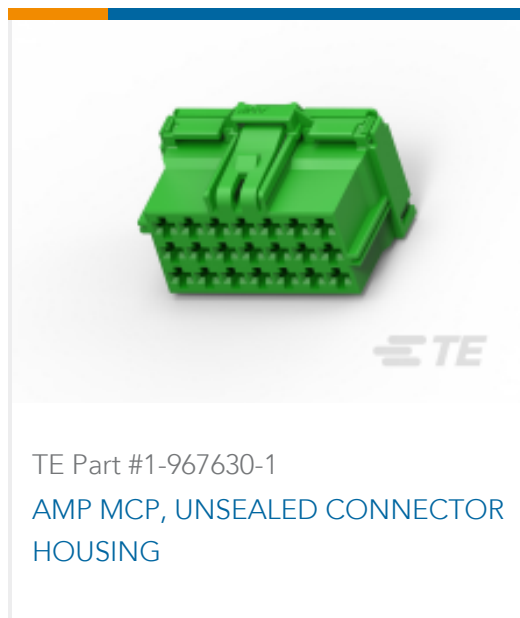
TE Part # 7-2266642-2
OCEAN_2.0_APPLICATOR-S-200F300F



Also in the Series | AMP MCP Connector System



Customers Also Bought





Documents

Product Drawings

AMP MCP 9.5, CONTACT

English

CAD Files

Customer View Model

[ENG_CVM_1-967588-1_B4.3d_igs.zip](#)

English

Customer View Model

[ENG_CVM_1-967588-1_B4.3d_stp.zip](#)

English

Customer View Model

[ENG_CVM_1-967588-1_B4.2d_dxf.zip](#)

English

3D PDF

English

By downloading the CAD file I accept and agree to the [Terms and Conditions](#) of use.

Product Specifications

Application Specification

German

Application Specification

German

Product Environmental Compliance

Product Compliance

English

Product Compliance

English