

1123721-1 ✓ ACTIVE

Economy Power

TE Internal #: 1123721-1

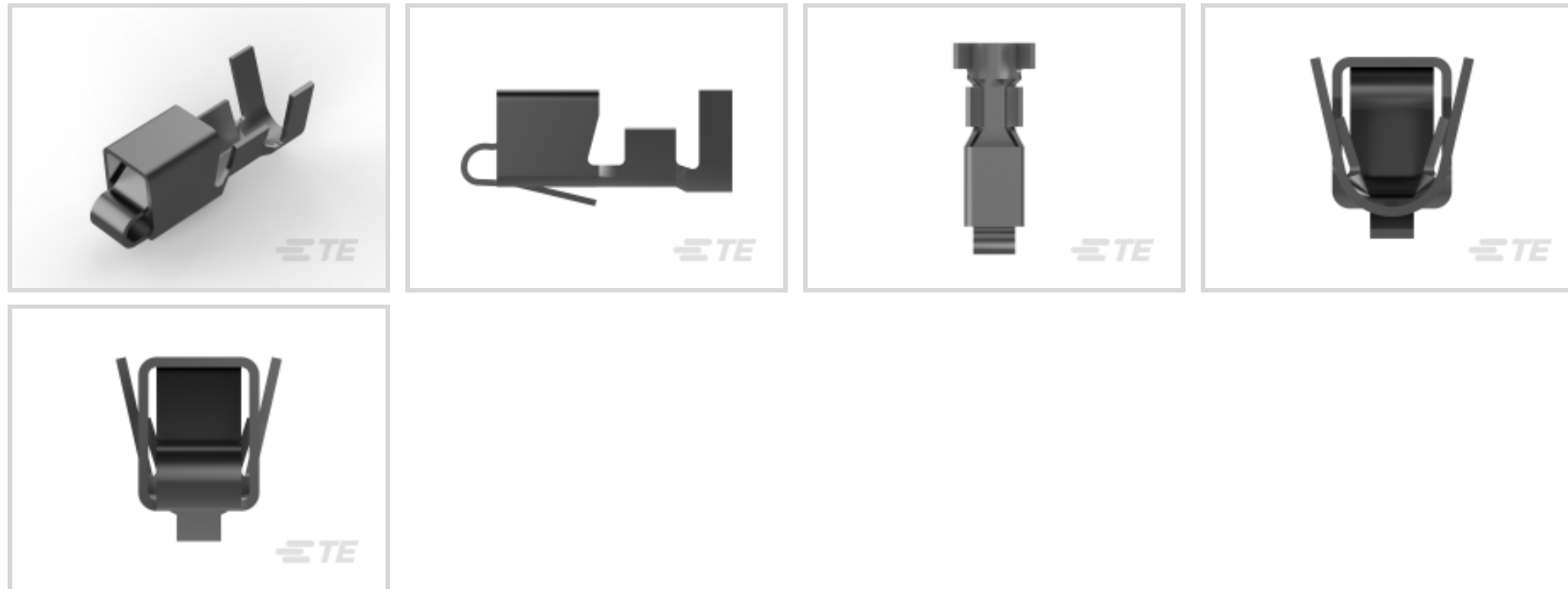
Power Contacts, Contact, 250 VAC, 250 VDC, Tin, 22 – 18 AWG

Wire Size, .3 – .89 mm² Wire Size, 642 – 1624 CMA Wire Size, Wire-to-Board, Economy Power

[View on TE.com >](#)



Connectors > Power Connectors > Power Contacts



Power Contact Type: **Contact**

Operating Voltage: **250 VDC**

Contact Mating Area Plating Material: **Tin**

Wire Size: **22 – 18 AWG**

Features

Product Type Features

Power Contact Type	Contact
Connector System	Wire-to-Board
Sealable	No
Connector & Contact Terminates To	Wire & Cable

Electrical Characteristics

Operating Voltage	250 VDC
-------------------	---------

Contact Features

Contact Mating Area Plating Material	Tin
Contact Current Rating (Max)	8 A
Contact Type	Receptacle
Contact Retention Within Housing	With
Mating Square Post Dimension	1.14 mm[.045 in]
Contact Base Material	Phosphor Bronze
Contact Mating Area Plating Material Thickness	.8 – 1.4 μm[31.49 – 55.11 μin]
Wire Contact Termination Area Plating Thickness	.8 – 1.4 μm[31.49 – 55.11 μin]



Wire Contact Termination Area Plating Material	Tin
Wire Contact Termination Area Plating Material Finish	Matte
Contact Orientation	Straight
Barrel Type	Open Barrel

Termination Features

Termination Method to Wire & Cable	Crimp
------------------------------------	-------

Mechanical Attachment

Contact Retention Type Within Housing	Locking Lance
Wire Insulation Support	With

Dimensions

Wire Size	642 – 1624 CMA
Accepts Wire Insulation Diameter Range	1.7 – 3 mm [.066 – .118 in]
Overall Length	10.6 mm [.417 in]

Usage Conditions

Operating Temperature Range	-25 – 105 °C [-13 – 221 °F]
-----------------------------	-----------------------------

Operation/Application

Circuit Application	Power
---------------------	-------

Industry Standards

Glow Wire Rating	Standard Part - Not Glow Wire
------------------	-------------------------------

Packaging Features

Packaging Method	Reel
Packaging Quantity	4000

Other

Wire/Cable Type	Discrete Wire
For Use With	Plug Housing

Product Compliance

[For compliance documentation, visit the product page on TE.com>](#)

EU RoHS Directive 2011/65/EU	Compliant
EU ELV Directive 2000/53/EC	Compliant
China RoHS 2 Directive MIIT Order No 32, 2016	No Restricted Materials Above Threshold



EU REACH Regulation (EC) No. 1907/2006

Current ECHA Candidate List: JAN 2022 (223)

Candidate List Declared Against: JAN 2022 (223)

Does not contain REACH SVHC

Halogen Content

Low Halogen - Br, Cl, F, I < 900 ppm per homogenous material. Also BFR/CFR/PVC Free

Solder Process Capability

Not applicable for solder process capability

Product Compliance Disclaimer

This information is provided based on reasonable inquiry of our suppliers and represents our current actual knowledge based on the information they provided. This information is subject to change. The part numbers that TE has identified as EU RoHS compliant have a maximum concentration of 0.1% by weight in homogenous materials for lead, hexavalent chromium, mercury, PBB, PBDE, DBP, BBP, DEHP, DIBP, and 0.01% for cadmium, or qualify for an exemption to these limits as defined in the Annexes of Directive 2011/65/EU (RoHS2). Finished electrical and electronic equipment products will be CE marked as required by Directive 2011/65/EU. Components may not be CE marked. Additionally, the part numbers that TE has identified as EU ELV compliant have a maximum concentration of 0.1% by weight in homogenous materials for lead, hexavalent chromium, and mercury, and 0.01% for cadmium, or qualify for an exemption to these limits as defined in the Annexes of Directive 2000/53/EC (ELV). Regarding the REACH Regulation, the information TE provides on SVHC in articles for this part number is based on the latest European Chemicals Agency (ECHA) 'Guidance on requirements for substances in articles' posted at this URL: <https://echa.europa.eu/guidance-documents/guidance-on-reach>

Compatible Parts



TE Part # 1-1123722-1
3.96 EP PLUG HSG 11P(NATURAL)



TE Part # 1-1123723-4
3.96 EP HDR ASSY 4P(NATURAL)



TE Part # 1-1123722-8
3.96 EP PLUG HSG 8P(NATURAL)



TE Part # 1-1123722-5
3.96 EP PLUG HSG 5P(NATURAL)



TE Part # 1-1123723-8
3.96 EP HDR ASSY 8P(NATURAL)



TE Part # 1-1123722-6
3.96 EP PLUG HSG 6P(NATURAL)



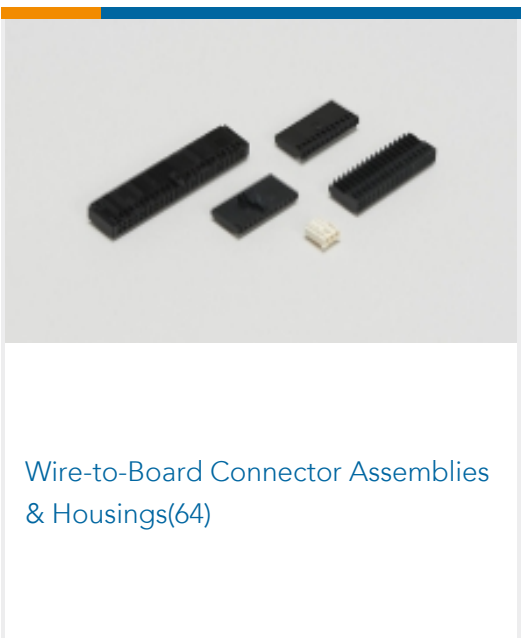
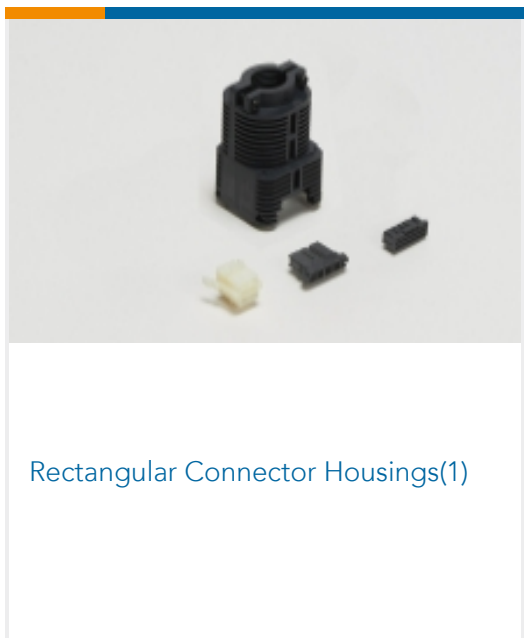
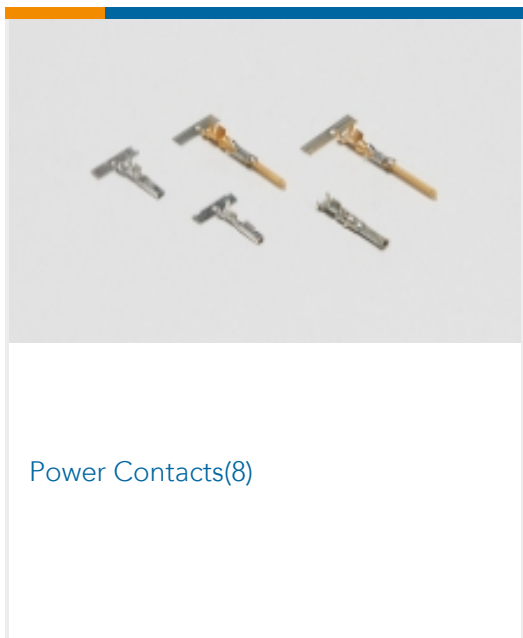
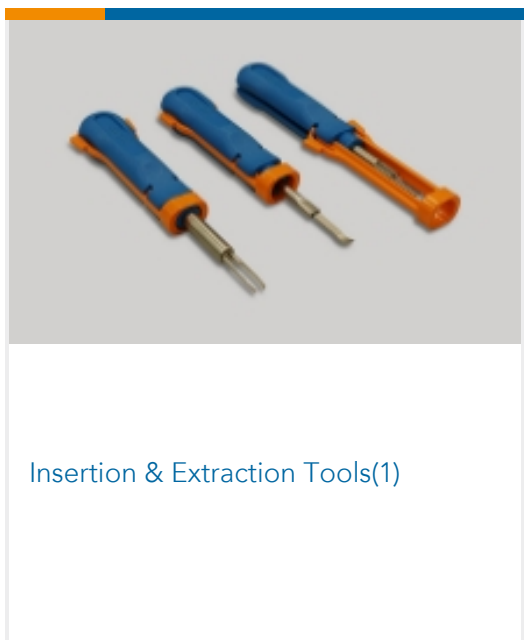
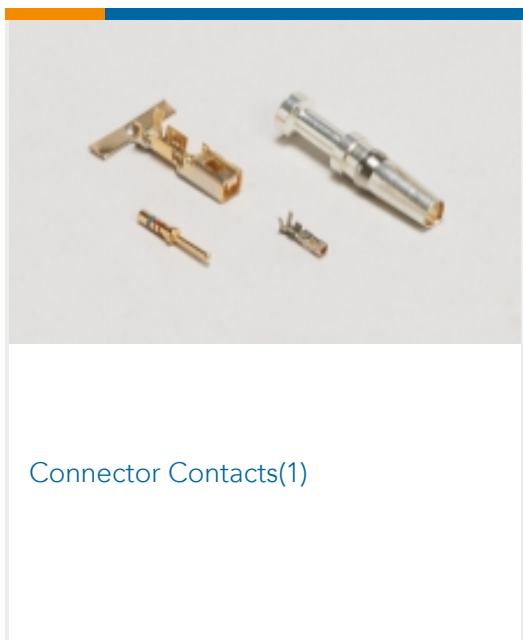
TE Part # 1-1123723-5
3.96 EP HDR ASSY 5P(NATURAL)



TE Part # 1-1123722-2
3.96 EP PLUG HSG 2P(NATURAL)



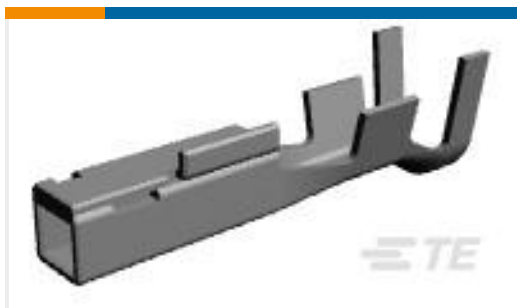
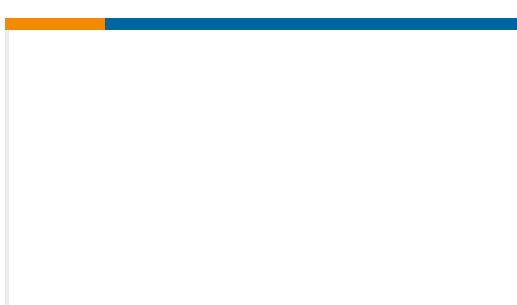
Also in the Series | Economy Power





Wire-to-Board Connector Contacts(6)

Customers Also Bought

TE Part #1565079-1
GRACE INERTIA 3.5 REC CONTACT(L)TE Part #1-1123722-5
3.96 EP PLUG HSG 5P(NATURAL)TE Part #1-1123722-2
3.96 EP PLUG HSG 2P(NATURAL)TE Part #1-1123722-4
3.96 EP PLUG HSG 4P(NATURAL)TE Part #1-1123722-3
3.96 EP PLUG HSG 3P(NATURAL)TE Part #1-1123823-1
EP IP PLUG NATURALTE Part #1-1123722-9
3.96 EP PLUG HSG 9P(NATURAL)TE Part #1744001-4
04P MTA156 HDR POL .045SQ TINTE Part #1744001-6
06P MTA156 HDR POL .045SQ TINTE Part #63512-3
187 FASTON FLAG REC 18-14 AWG
BR

Documents

Product Drawings

EP CONN. REC CONTACT

English

CAD Files

3D PDF

3D

Customer View Model

ENG_CVM_CVM_1123721-1_T.2d_dxf.zip



English

Customer View Model

[ENG_CVM_CVM_1123721-1_T.3d_igs.zip](#)

English

Customer View Model

[ENG_CVM_CVM_1123721-1_T.3d_stp.zip](#)

English

Customer View Model

[ENG_CVM_1123721-1_E.3d_igs.zip](#)

English

Customer View Model

[ENG_CVM_1123721-1_E.3d_stp.zip](#)

English

Customer View Model

[ENG_CVM_1123721-1_E.2d_dxf.zip](#)

English

3D PDF

English

By downloading the CAD file I accept and agree to the [Terms and Conditions](#) of use.

Product Specifications

Application Specification

Japanese

EP Contact for NEW MOTOR CONNECTOR

Japanese

Application Specification

Japanese

Application Specification

English

Product Environmental Compliance

MD_1123721-1_09062018654_dmtec

English

MD_1123721-1_09062018654_dmtec

English

Instruction Sheets

Instruction Sheet (non U.S.)

Japanese

Economy Power (EP) Connector

Japanese