



**MQS**

TE Internal #: 1241608-1

Automotive Terminals, Receptacle, Mating Tab Width 1.5 mm [.059 in], Tab Thickness .024 in [.63 mm], 18 – 15 AWG Wire Size, MQS

[View on TE.com >](#)

Terminals & Splices > Automotive Terminals > MQS, RECEPTACLE AND TAB



Terminal Type: **Receptacle**

Mating Tab Width: **1.5 mm [.059 in]**

Mating Tab Thickness: **.63 mm [.024 in]**

Terminal Transmits: **0 – 24 A (Low Power)**

Wire Size: **18 – 15 AWG**

[All MQS, RECEPTACLE AND TAB \(125\)](#)

**Features**

**Product Type Features**

Receptacle Style	180°
Sealable	No
Primary Locking Feature	Clean Body

**Contact Features**

Typical Current Rating	7.5 A
Crimp Type	F-Crimp
Terminal Type	Receptacle
Mating Tab Width	1.5 mm [.059 in]
Mating Tab Thickness	.63 mm [.024 in]
Interface Plating	Tin (Sn)
Contact Termination Area Plating Material	Tin (Sn)

**Termination Features**

Termination Method to Wire & Cable	Crimp
Product Terminates To	Wire

**Dimensions**

Wire Size	.75 – 1.5 mm <sup>2</sup>
-----------	---------------------------



Wire Size Search	15 AWG, 16 AWG, 17 AWG, 18 AWG
------------------	--------------------------------

Wire Insulation Diameter	1.7 – 2.4 mm [.067 – .094 in]
--------------------------	-------------------------------

### Usage Conditions

Insulation Option	Uninsulated
-------------------	-------------

Operating Temperature (Max)	80 °C, 85 °C, 90 °C, 100 °C, 105 °C, 110 °C, 120 °C [176 °F] [185 °F] [194 °F] [212 °F] [221 °F] [230 °F] [248 °F]
-----------------------------	--

Operating Temperature Range	-40 – 120 °C [-40 – 248 °F]
-----------------------------	-----------------------------

### Operation/Application

Compatible With Wire Base Material	Copper
------------------------------------	--------

### Packaging Features

Packaging Method	Reel
------------------	------

Packaging Quantity	8500
--------------------	------

### Other

Terminal Transmits	0 – 24 A (Low Power)
--------------------	----------------------

## Product Compliance

[For compliance documentation, visit the product page on TE.com>](#)

EU RoHS Directive 2011/65/EU	Compliant
------------------------------	-----------

EU ELV Directive 2000/53/EC	Compliant
-----------------------------	-----------

China RoHS 2 Directive MIIT Order No 32, 2016	No Restricted Materials Above Threshold
---	---

EU REACH Regulation (EC) No. 1907/2006	Current ECHA Candidate List: JAN 2022 (223) Candidate List Declared Against: JAN 2022 (223) Does not contain REACH SVHC
--	---

Halogen Content	Low Halogen - Br, Cl, F, I < 900 ppm per homogenous material. Also BFR/CFR/PVC Free
-----------------	---

Solder Process Capability	Not applicable for solder process capability
---------------------------	--

#### Product Compliance Disclaimer

This information is provided based on reasonable inquiry of our suppliers and represents our current actual knowledge based on the information they provided. This information is subject to change. The part numbers that TE has identified as EU RoHS compliant have a maximum concentration of 0.1% by weight in homogenous materials for lead, hexavalent chromium, mercury, PBB, PBDE, DBP, BBP, DEHP, DIBP, and 0.01% for cadmium, or qualify for an exemption to these limits as defined in the Annexes of Directive 2011/65/EU (RoHS2). Finished electrical and electronic equipment products will be CE marked as required by Directive 2011/65/EU. Components may not be CE marked. Additionally, the part numbers that TE has identified as EU ELV compliant have a maximum concentration of 0.1% by weight in homogenous

materials for lead, hexavalent chromium, and mercury, and 0.01% for cadmium, or qualify for an exemption to these limits as defined in the Annexes of Directive 2000/53/EC (ELV). Regarding the REACH Regulation, the information TE provides on SVHC in articles for this part number is based on the latest European Chemicals Agency (ECHA) 'Guidance on requirements for substances in articles' posted at this URL: <https://echa.europa.eu/guidance-documents/guidance-on-reach>

## Compatible Parts



TE Part # 6-1579007-0  
EXTRACTION TOOL



TE Part # 2305570-1  
TERMINAL CUTTER, SIDE FEED



TE Part # CAT-M8793-CH8172  
MQS, CONNECTOR HOUSING



TE Part # 1-1579018-4  
EXTRACTION TOOL



TE Part # 2209544-9  
60P, PLUG ASSY, NORMAL CODING



TE Part # 2209545-1  
94P, MQS CB, REC HSG, ASSY, SEALED



TE Part # 2-2151066-1  
OCEAN\_2.0\_APPLICATOR-S-080F1000



TE Part # 2-2151066-2  
OCEAN\_2.0\_APPLICATOR-S-080F1000



TE Part # 2151066-1  
OCEAN\_2.0\_APPLICATOR-S-080F1000



TE Part # 2151066-2  
OCEAN\_2.0\_APPLICATOR-S-080F1000



TE Part # 2208277-3  
60POS MQS REC SEALED



TE Part # 2209544-1  
60P, MQS CB, REC HSG, ASSY, SEALED




TE Part # 7-1893681-1  
KIT FOR MINI APPLICATOR



TE Part # 7-2151066-1  
OCEAN\_2.0\_APPLICATOR-S-080F1000



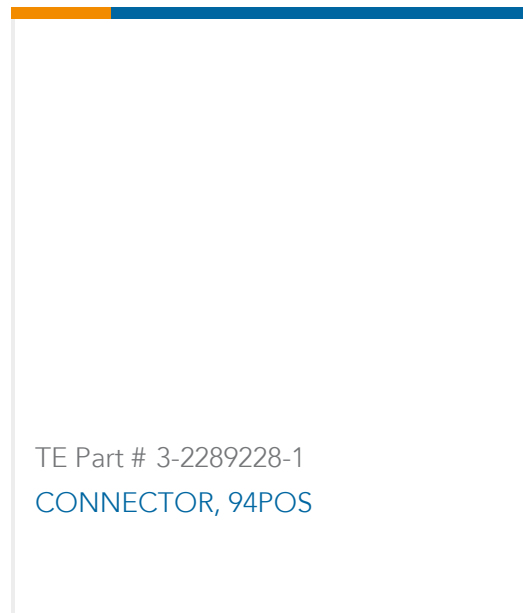
TE Part # 7-2151066-2  
OCEAN\_2.0\_APPLICATOR-S-080F1000



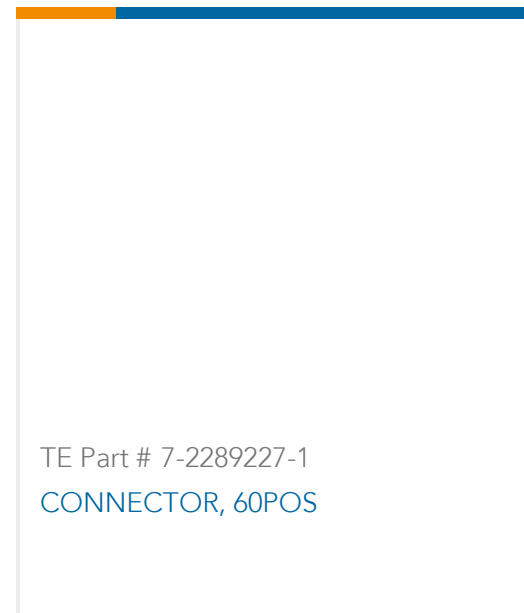
TE Part # 7-2151066-7  
OCEAN\_2.0\_SPARE\_PART\_KIT-080F1000



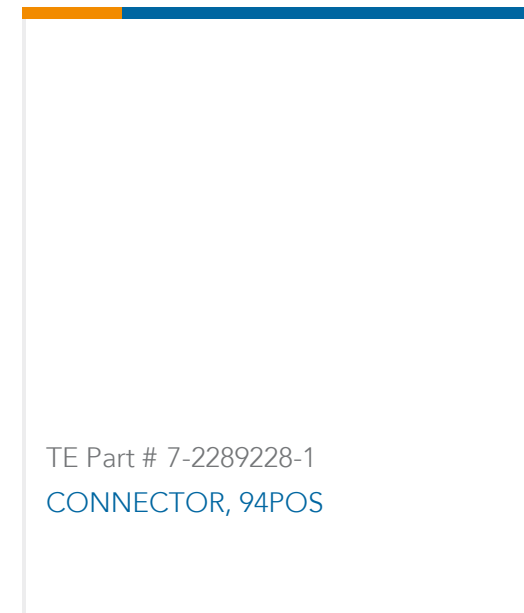
TE Part # 3-1893681-1  
MINI APPLICATOR SIDE FEED



TE Part # 3-2289228-1  
CONNECTOR, 94POS



TE Part # 7-2289227-1  
CONNECTOR, 60POS



TE Part # 7-2289228-1  
CONNECTOR, 94POS

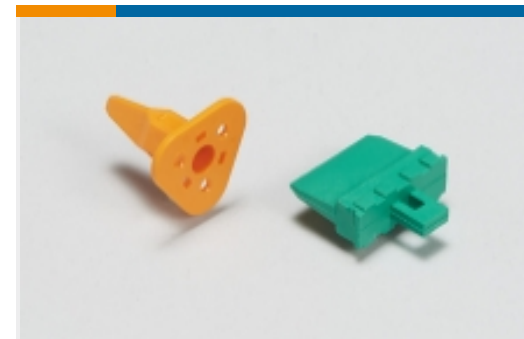
## Also in the Series | MQS



Automotive Connector Caps & Covers (131)



Automotive Connector EMC Shielding (2)



Automotive Connector Locks & Position Assurance(29)



Automotive Housings(489)



Automotive Seals & Cavity Plugs(26)



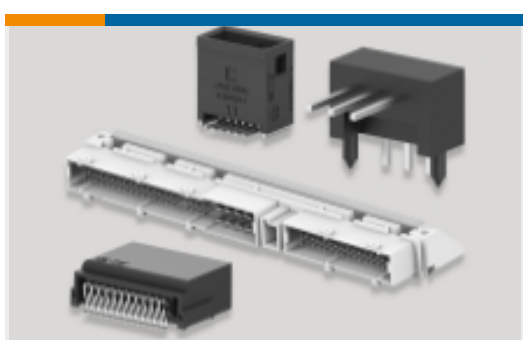
Automotive Terminals(96)



Insertion & Extraction Tools(42)



Other Automotive Connector Accessories(13)

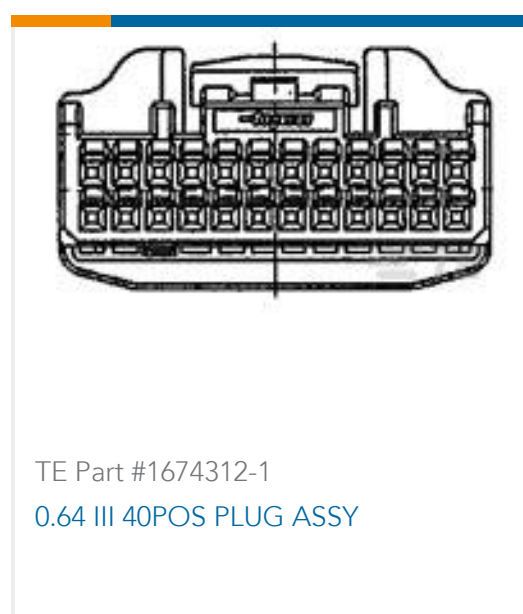


PCB Headers & Receptacles(206)

## Customers Also Bought



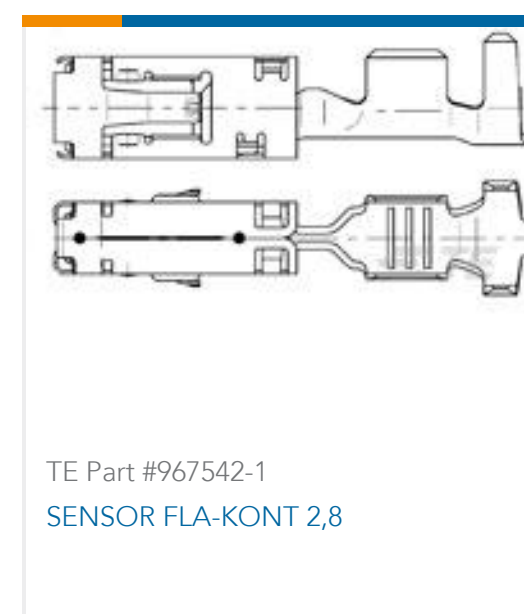
TE Part #1394871-1  
MQS DICHTSTOPFEN



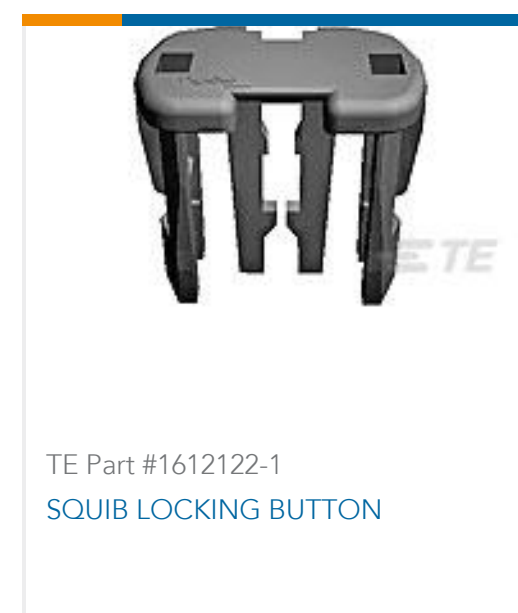
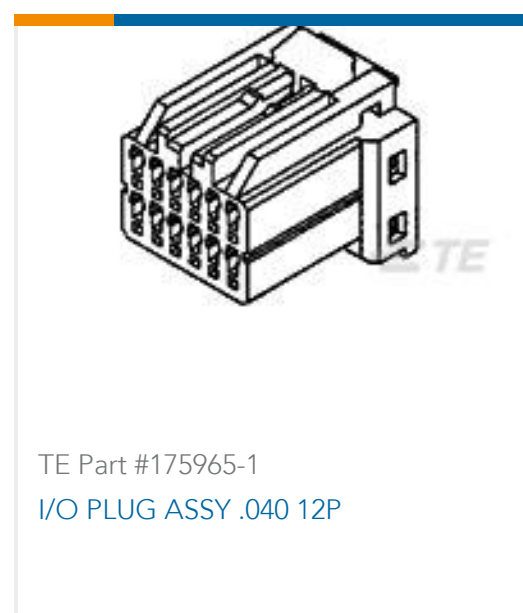
TE Part #1674312-1  
0.64 III 40POS PLUG ASSY



TE Part #1452158-1  
MQS1,5 Sn rec CB unseal. 0,35-0,5



TE Part #967542-1  
SENSOR FLA-KONT 2,8



## Documents

### Product Drawings

[MQS1,5 Sn rec CB unseal. 0,75-1,5](#)

English

[MQS1,5 Sn rec CB unseal. 0,75-1,5](#)

English

### CAD Files

[3D PDF](#)

3D

Customer View Model

[ENG\\_CVM\\_CVM\\_1241608-1\\_C.2d\\_dxf.zip](#)

English

Customer View Model

[ENG\\_CVM\\_CVM\\_1241608-1\\_C.3d\\_igs.zip](#)

English

Customer View Model

[ENG\\_CVM\\_CVM\\_1241608-1\\_C.3d\\_stp.zip](#)

English

By downloading the CAD file I accept and agree to the [Terms and Conditions](#) of use.

### Datasheets & Catalog Pages

[Micro Quadlok Interconnection System \(MQS\)](#)

English

### Product Specifications

[Application Specification](#)

English

1241608-1

Automotive Terminals, Receptacle, Mating Tab Width 1.5 mm [.059 in], Tab Thickness .024 in [.63 mm], 18 – 15 AWG Wire Size, MQS



**Product Environmental Compliance**

[MD\\_1241608-1\\_0525201856\\_dmtec](#)

English

[MD\\_1241608-1\\_0525201856\\_dmtec](#)

English