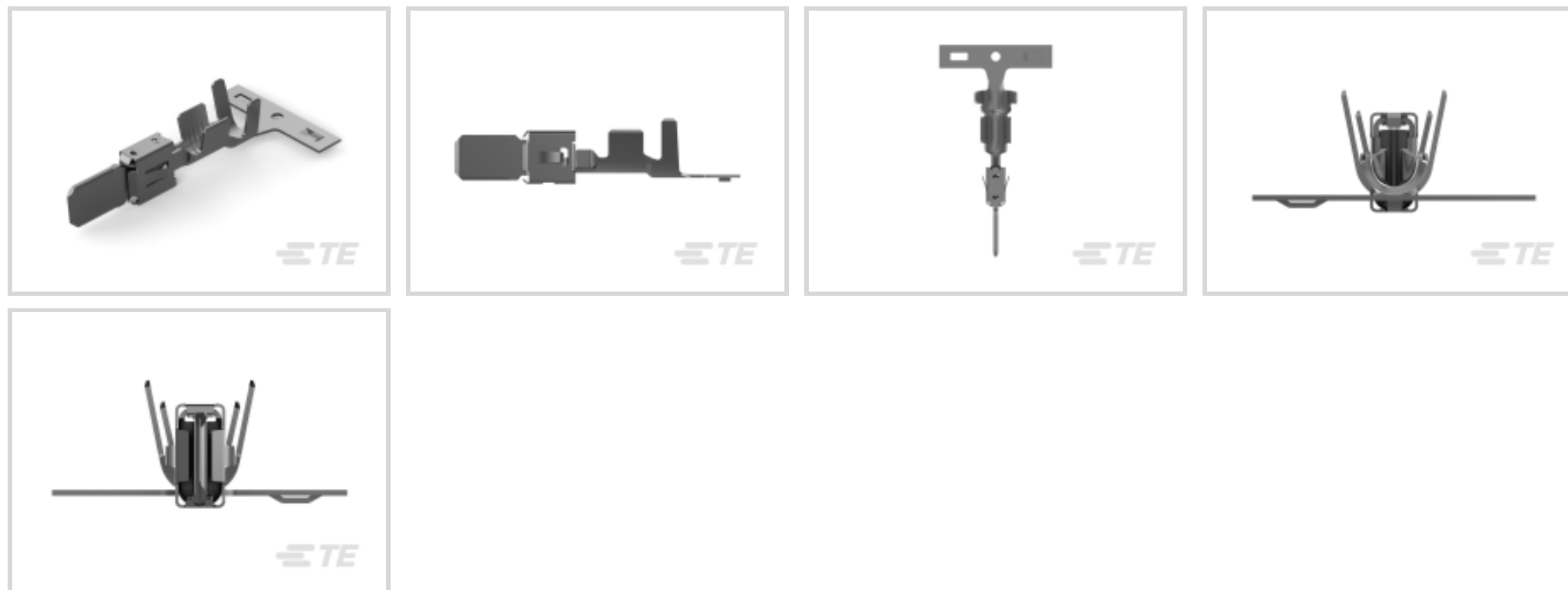




Terminals & Splices > Special Purpose Terminals



Special Purpose Terminal Type: **Tab**

Wire Size: **4 – 6 mm²**

Terminal Material Thickness: **.38 mm [.015 in]**

Terminal Plating Material: **Pre-Tin**

Features

Product Type Features

Wire/Cable Type	Discrete Wire
Sealable	No

Contact Features

Special Purpose Terminal Type	Tab
Terminal Plating Material	Pre-Tin
Barrel Type	Open
Terminal Orientation	Straight

Mechanical Attachment

Wire Insulation Support	With
-------------------------	------

Dimensions

Wire Size	4 – 6 mm ²
Terminal Material Thickness	.38 mm[.015 in]
Overall Product Length	28.8 mm[1.13 in]
Accepts Wire Insulation Diameter (Max)	5.2 mm[.204 in]
Accepts Wire Insulation Diameter Range	4 – 5.2 mm[.157 – .204 in]

Usage Conditions



Insulation Option	Uninsulated
Operating Temperature Range	-40 – 130 °C[-40 – 266 °F]

Packaging Features

Packaging Quantity	1500
Packaging Method	Reel

Other

Comment	See drawing, application & product specification for additional information.
---------	--

Product Compliance

[For compliance documentation, visit the product page on TE.com>](#)

EU RoHS Directive 2011/65/EU	Compliant
EU ELV Directive 2000/53/EC	Compliant
China RoHS 2 Directive MIIT Order No 32, 2016	No Restricted Materials Above Threshold
EU REACH Regulation (EC) No. 1907/2006	Current ECHA Candidate List: JAN 2022 (223) Candidate List Declared Against: JAN 2021 (211) SVHC > Threshold: Not Yet Reviewed
Halogen Content	Low Halogen - Br, Cl, F, I < 900 ppm per homogenous material. Also BFR/CFR/PVC Free
Solder Process Capability	Not applicable for solder process capability

Product Compliance Disclaimer

This information is provided based on reasonable inquiry of our suppliers and represents our current actual knowledge based on the information they provided. This information is subject to change. The part numbers that TE has identified as EU RoHS compliant have a maximum concentration of 0.1% by weight in homogenous materials for lead, hexavalent chromium, mercury, PBB, PBDE, DBP, BBP, DEHP, DIBP, and 0.01% for cadmium, or qualify for an exemption to these limits as defined in the Annexes of Directive 2011/65/EU (RoHS2). Finished electrical and electronic equipment products will be CE marked as required by Directive 2011/65/EU. Components may not be CE marked. Additionally, the part numbers that TE has identified as EU ELV compliant have a maximum concentration of 0.1% by weight in homogenous materials for lead, hexavalent chromium, and mercury, and 0.01% for cadmium, or qualify for an exemption to these limits as defined in the Annexes of Directive 2000/53/EC (ELV). Regarding the REACH Regulation, the information TE provides on SVHC in articles for this part number is based on the latest European Chemicals Agency (ECHA) 'Guidance on requirements for substances in articles' posted at this URL: <https://echa.europa.eu/guidance-documents/guidance-on-reach>

Compatible Parts



TE Part # 4-1579007-3
EXTRACTION TOOL KIT



TE Part # 1-1579007-6
EXTRACTION TOOL



TE Part # 2305570-1
TERMINAL CUTTER, SIDE FEED



TE Part # CAT-T4827-CH8172
TIMER, CONNECTOR HOUSING



TE Part # 2-2836646-2
OCEAN_2.0_APPLICATOR-S-160F210OV



TE Part # 2836646-2
OCEAN_2.0_APPLICATOR-S-160F210OV



TE Part # 7-2836646-2
OCEAN_2.0_APPLICATOR-S-160F210OV



TE Part # 7-2836646-7
OCEAN_2.0_SPARE_PART_KIT-160F210OV



TE Part # 968048-1
KREUZKONTAKT

TE Part # 2837557-2
APPLICATOR TO MAKE LOOSE PIECE TERMINALS

TE Part # 7-2837557-7
TOOLING KIT TO MAKE LOOSE PIECE TERMINAL

Customers Also Bought



TE Part #1456867-3
PLG ASSY,2X8,UNSEALD, 0.64,Gen



TE Part #2-1703930-2
NANOMQS, RECEPTACLE TERMINAL



TE Part #1745068-1
3 POS. MCP 1,5 SRS. REC. CONNECTOR UNSLD.



TE Part #1924955-4
CONTACT,FEMALE0.64,18AWG, UNSEALED



TE Part #1924955-3
CONTACT,FEMALE0.64,20-22AWG, UNSEAL



TE Part #1-2208021-3
22POS,0.64 GENER. Y,REC HSG,ASSY



TE Part #1-2208021-4
22POS,0.64 GENER. Y,REC HSG,ASSY



TE Part #2035363-7
1X6 GENERATION Y ASSY KEY E



Documents

Product Drawings

[SPECIAL TERMINAL 11-10 AWG PTPB](#)

English

[SPECIAL TERMINAL 11-10 AWG PTPB](#)

English

CAD Files

[3D PDF](#)

3D

Customer View Model

[ENG_CVM_CVM_1-968050-1_A.2d_dxf.zip](#)

English

Customer View Model

[ENG_CVM_CVM_1-968050-1_A.3d_igs.zip](#)

English

Customer View Model

[ENG_CVM_CVM_1-968050-1_A.3d_stp.zip](#)

English

By downloading the CAD file I accept and agree to the [Terms and Conditions](#) of use.

Product Specifications

[Application Specification](#)

English