



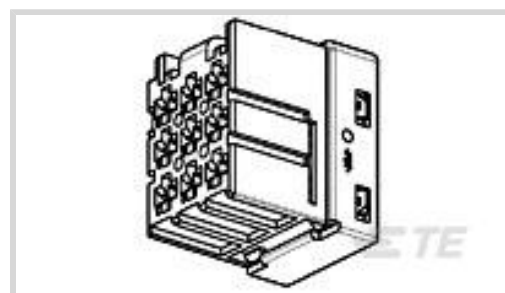
AMP | Junior Power Timer

TE Internal #: 1-968307-2

Housing for Female Terminals, Wire-to-Board / Wire-to-Device, 9 Position, .197 in [5 mm] Centerline, Black, Signal, Junior Power Timer

[View on TE.com >](#)

Connectors > Automotive Connectors > Connector Housings > TIMER, CONNECTOR HOUSING



Connector & Housing Type: **Housing for Female Terminals**

Mating Tab Width: **3 mm [.118 in]**

Connector System: **Wire-to-Board, Wire-to-Device**

Number of Positions: **9**

Centerline (Pitch): **5 mm [.197 in]**

[All TIMER, CONNECTOR HOUSING \(543\)](#)

Features

Product Type Features

| | |
|---------------------------|-------------------------------|
| Connector & Housing Shape | Rectangular |
| Connector & Housing Type | Housing for Female Terminals |
| Connector System | Wire-to-Board, Wire-to-Device |
| Sealable | No |
| Hybrid Connector | No |
| Primary Locking Feature | On the Terminal |

Configuration Features

| | |
|---------------------|---|
| Number of Positions | 9 |
| Number of Rows | 3 |

Body Features

| | |
|-----------------------|-------|
| Cable Exit Angle | 180° |
| Body Material | PBT |
| Primary Product Color | Black |
| Connector Code | A |

Contact Features

| | |
|--------------|------------|
| Contact Size | .63mm, 3mm |
| Contact Type | Receptacle |



| | |
|------------------|---------------|
| Mating Tab Width | 3 mm[.118 in] |
|------------------|---------------|

Mechanical Attachment

| | |
|------------------|---------|
| Mounting Feature | Without |
|------------------|---------|

| | |
|-----------------------------|-----|
| Terminal Position Assurance | Yes |
|-----------------------------|-----|

| | |
|---------------|---------|
| Strain Relief | Without |
|---------------|---------|

| | |
|-----------------------|-------|
| Mating Alignment Type | Keyed |
|-----------------------|-------|

| | |
|------------------|------|
| Mating Alignment | With |
|------------------|------|

| | |
|-------------------------|----------------------------|
| Connector Mounting Type | Cable Mount (Free-Hanging) |
|-------------------------|----------------------------|

Housing Features

| | |
|--------------------|---------------|
| Centerline (Pitch) | 5 mm[.197 in] |
|--------------------|---------------|

Dimensions

| | |
|---------------|----------------|
| Product Width | 22 mm[.866 in] |
|---------------|----------------|

| | |
|----------------|----------------|
| Product Length | 25 mm[.984 in] |
|----------------|----------------|

| | |
|----------------|----------------|
| Product Height | 18 mm[.709 in] |
|----------------|----------------|

| | |
|--------------------|-----------------|
| Row-to-Row Spacing | 5.9 mm[.232 in] |
|--------------------|-----------------|

Usage Conditions

| | |
|-----------------------------|---|
| Operating Temperature (Max) | 70 °C, 75 °C, 80 °C, 85 °C, 90 °C, 100 °C, 105 °C, 110 °C, 120 °C[158 °F][167 °F][176 °F][185 °F][194 °F][212 °F][221 °F][230 °F][248 °F] |
|-----------------------------|---|

| | |
|-----------------------------|----------------------------|
| Operating Temperature Range | -40 – 120 °C[-40 – 248 °F] |
|-----------------------------|----------------------------|

Operation/Application

| | |
|---------------------|--------|
| Circuit Application | Signal |
|---------------------|--------|

Packaging Features

| | |
|------------------|--------|
| Packaging Method | Carton |
|------------------|--------|

Other

| | |
|-------------|----|
| Serviceable | No |
|-------------|----|

| | |
|--------------------------------------|----|
| Connector Position Assurance Capable | No |
|--------------------------------------|----|

Product Compliance

For compliance documentation, visit the product page on [TE.com](https://www.te.com)>

| | |
|------------------------------|-----------|
| EU RoHS Directive 2011/65/EU | Compliant |
|------------------------------|-----------|

| | |
|-----------------------------|-----------|
| EU ELV Directive 2000/53/EC | Compliant |
|-----------------------------|-----------|



| | |
|---|---|
| China RoHS 2 Directive MIIT Order No 32, 2016 | No Restricted Materials Above Threshold |
| EU REACH Regulation (EC) No. 1907/2006 | Current ECHA Candidate List: JAN 2022 (223) Candidate List Declared Against: JAN 2021 (211) SVHC > Threshold: Not Yet Reviewed |
| Halogen Content | Low Halogen - Br, Cl, F, I < 900 ppm per homogenous material. Also BFR/CFR/PVC Free |
| Solder Process Capability | Not applicable for solder process capability |

Product Compliance Disclaimer

This information is provided based on reasonable inquiry of our suppliers and represents our current actual knowledge based on the information they provided. This information is subject to change. The part numbers that TE has identified as EU RoHS compliant have a maximum concentration of 0.1% by weight in homogenous materials for lead, hexavalent chromium, mercury, PBB, PBDE, DBP, BBP, DEHP, DIBP, and 0.01% for cadmium, or qualify for an exemption to these limits as defined in the Annexes of Directive 2011/65/EU (RoHS2). Finished electrical and electronic equipment products will be CE marked as required by Directive 2011/65/EU. Components may not be CE marked. Additionally, the part numbers that TE has identified as EU ELV compliant have a maximum concentration of 0.1% by weight in homogenous materials for lead, hexavalent chromium, and mercury, and 0.01% for cadmium, or qualify for an exemption to these limits as defined in the Annexes of Directive 2000/53/EC (ELV). Regarding the REACH Regulation, the information TE provides on SVHC in articles for this part number is based on the latest European Chemicals Agency (ECHA) 'Guidance on requirements for substances in articles' posted at this URL: <https://echa.europa.eu/guidance-documents/guidance-on-reach>

Compatible Parts



TE Part # 7-967288-1
134pos hybrid MQS .63 header 90deg




TE Part # 927768-1
JPT REC 2.8 Contact SRC Sn

Also in the Series | Junior Power Timer




Automotive Connector Caps & Covers (5)



Automotive Housings(225)



Automotive Seals & Cavity Plugs(10)



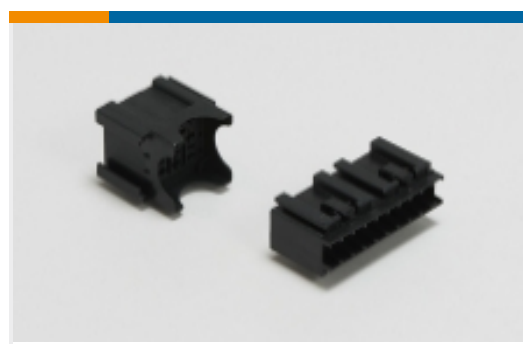
Automotive Terminals(82)



Busbars & Terminals(1)



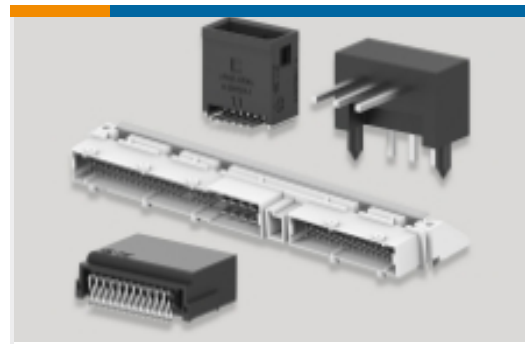
Insertion & Extraction Tools(9)



Module Components(8)



Other Automotive Connector Accessories(1)

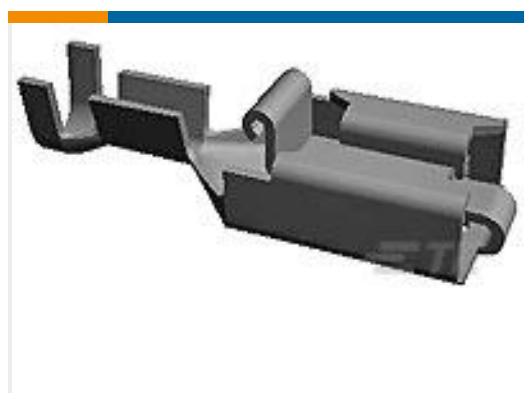


PCB Headers & Receptacles(1)

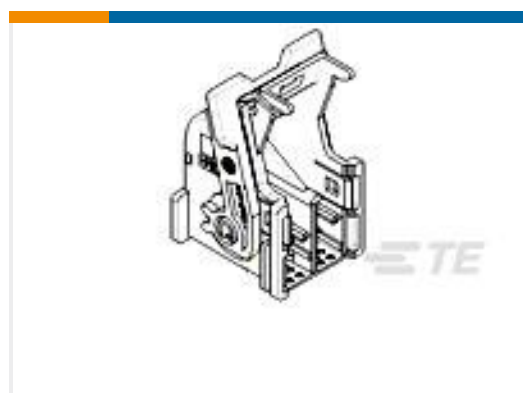
Customers Also Bought



TE Part #2-968326-1
MQS, CONNECTOR HOUSING



TE Part #927852-7
PL 250 REC TERMINAL 20-17 AWG PTPPB



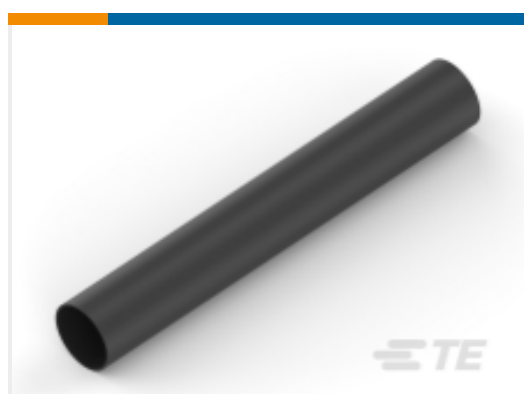
TE Part #953122-4
40W MQS COVER ASSY (15d)



TE Part #2-927771-1
TIMER, RECEPTACLE AND TAB



TE Part #2151266-2
OCEAN_2.0_Applicator-S-070F080BX



TE Part #NB09846001
ATUM-19/6-0-50MM

Documents

Product Drawings

JPT GEH KOMPL 9P

English

CAD Files

3D PDF

English

Customer View Model

ENG_CVM_1-968307-2_C4.2d_dxf.zip



English

Customer View Model

[ENG_CVM_1-968307-2_C4.3d_igs.zip](#)

English

Customer View Model

[ENG_CVM_1-968307-2_C4.3d_stp.zip](#)

English

By downloading the CAD file I accept and agree to the [Terms and Conditions](#) of use.

Datasheets & Catalog Pages

[Timer Interconnection System](#)

English

Product Specifications

[STEUERGERATESTECKER 134-POL. MICRO QUADLOCK SYSTEM JUNIOR POWER TIMER](#)

English

[Product Specification](#)

English