

1-967280-1 ✓ ACTIVE



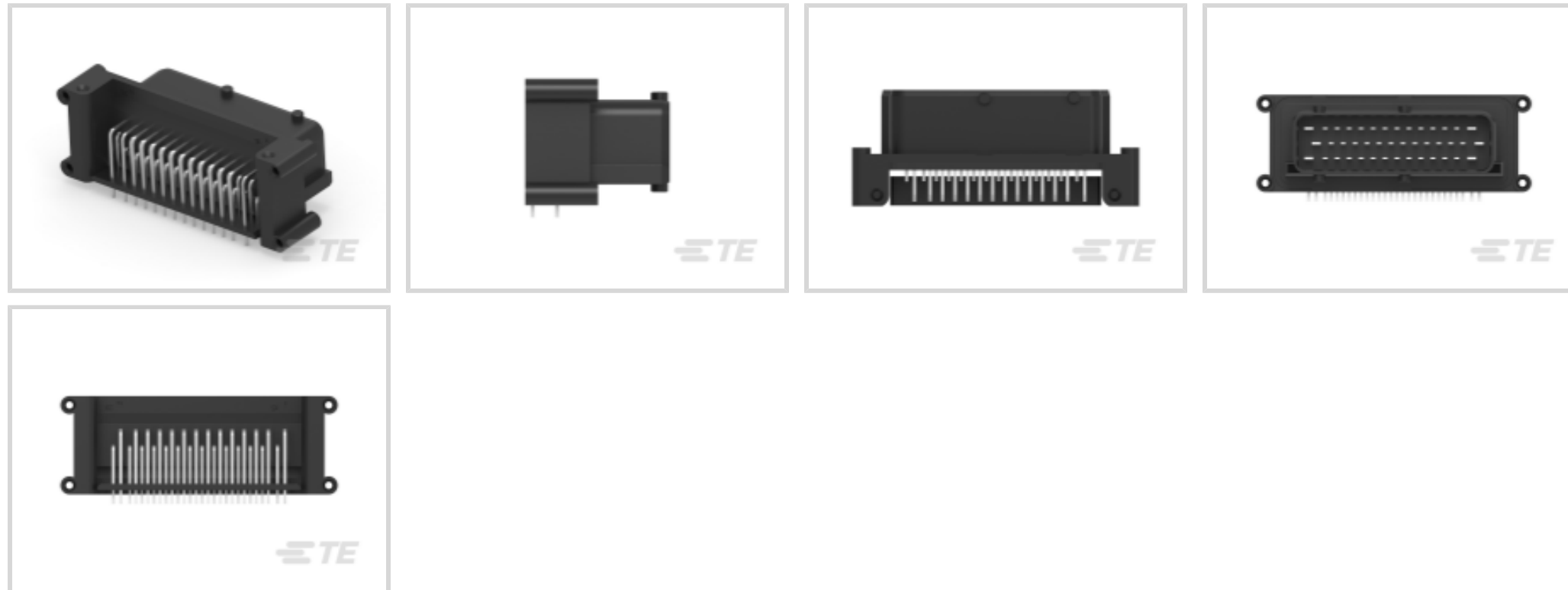
## Timer Connector System

TE Internal #: 1-967280-1

PCB Mount Header, Horizontal, Wire-to-Board, 42 Position, .157 in [4 mm] Centerline, Fully Shrouded, Tin (Sn), Timer Connector System

[View on TE.com >](#)

Connectors > PCB Connectors > PCB Headers & Receptacles > LOW & MEDIUM POWER HEADER



Connector System: **Wire-to-Board**

Number of Positions: **42**

Centerline (Pitch): **4 mm [ .157 in ]**

Sealable: **No**

PCB Mount Orientation: **Horizontal**

[All LOW & MEDIUM POWER HEADER \(154\)](#)

## Features

### Product Type Features

Hybrid Header	Yes
Connector & Housing Shape	Rectangular
PCB Connector Assembly Type	PCB Mount Header
Header Type	Fully Shrouded
Connector System	Wire-to-Board
Sealable	No

### Configuration Features

Number of Sections	1
Number of Signal Positions	42
Number of Positions	42
PCB Mount Orientation	Horizontal
Number of Rows	3



### Body Features

Primary Product Color	Black
Connector Code	A

### Contact Features

Contact Size	1.6mm, 3mm
Contact Type	Tab
Mating Tab Width	1.6 mm, 3 mm [.062 in][.118 in]
Mating Tab Thickness	.6 mm, .8 mm [.023 in][.031 in]
Contact Mating Area Plating Material	Tin (Sn)

### Termination Features

Termination Method to Printed Circuit Board	Through Hole - Solder
---	-----------------------

### Mechanical Attachment

Mounting Holes	With
Mating Retention	With
Mating Alignment	With
PCB Mount Alignment	With
Panel Mount Feature	Without
PCB Mount Retention	With
PCB Mount Retention Type	Mounting Hole
Mating Retention Type	Locking Interface

### Housing Features

Centerline (Pitch)	4 mm [.157 in]
--------------------	----------------

### Dimensions

Connector Length	73.2 mm [2.88 in]
Connector Width	37.1 mm [1.46 in]
Profile Height from PCB	32.5 mm [1.27 in]

### Operation/Application

Shielded	No
Circuit Application	Signal

### Packaging Features

Packaging Type	Tray
Packaging Quantity	100

## Product Compliance

For compliance documentation, visit the product page on [TE.com](#)>

EU RoHS Directive 2011/65/EU	Compliant
EU ELV Directive 2000/53/EC	Compliant
China RoHS 2 Directive MIIT Order No 32, 2016	No Restricted Materials Above Threshold
EU REACH Regulation (EC) No. 1907/2006	Current ECHA Candidate List: JAN 2022 (223) Candidate List Declared Against: JUL 2021 (219) SVHC > Threshold: Not Yet Reviewed
Halogen Content	Low Halogen - Br, Cl, F, I < 900 ppm per homogenous material. Also BFR/CFR/PVC Free
Solder Process Capability	Not applicable for solder process capability

### Product Compliance Disclaimer

This information is provided based on reasonable inquiry of our suppliers and represents our current actual knowledge based on the information they provided. This information is subject to change. The part numbers that TE has identified as EU RoHS compliant have a maximum concentration of 0.1% by weight in homogenous materials for lead, hexavalent chromium, mercury, PBB, PBDE, DBP, BBP, DEHP, DIBP, and 0.01% for cadmium, or qualify for an exemption to these limits as defined in the Annexes of Directive 2011/65/EU (RoHS2). Finished electrical and electronic equipment products will be CE marked as required by Directive 2011/65/EU. Components may not be CE marked. Additionally, the part numbers that TE has identified as EU ELV compliant have a maximum concentration of 0.1% by weight in homogenous materials for lead, hexavalent chromium, and mercury, and 0.01% for cadmium, or qualify for an exemption to these limits as defined in the Annexes of Directive 2000/53/EC (ELV). Regarding the REACH Regulation, the information TE provides on SVHC in articles for this part number is based on the latest European Chemicals Agency (ECHA) 'Guidance on requirements for substances in articles' posted at this URL: <https://echa.europa.eu/guidance-documents/guidance-on-reach>

## Compatible Parts



TE Part # 1-967281-1  
MICRO-T2/JPT GEH42P

Also in the Series | [Timer Connector System](#)



Automotive Connector Caps & Covers (11)



Automotive Connector Locks & Position Assurance(16)



Automotive Housings(219)



Automotive Seals & Cavity Plugs(31)



Automotive Terminals(140)



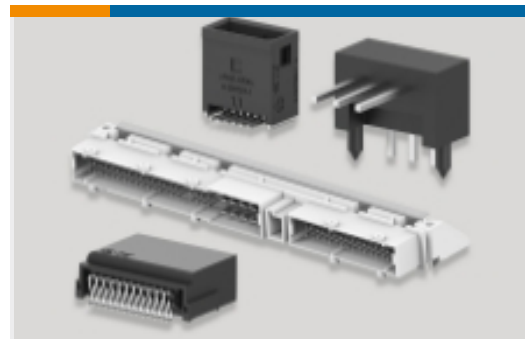
Crimp Terminal Housings(13)



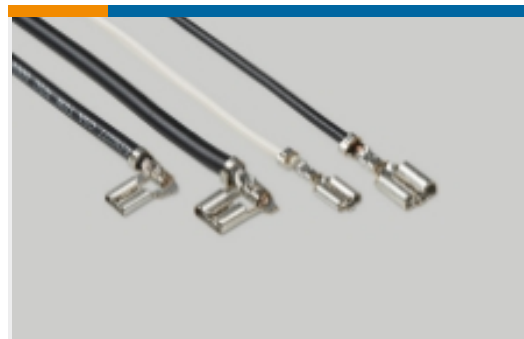
Insertion & Extraction Tools(20)



Other Automotive Connector Accessories(1)

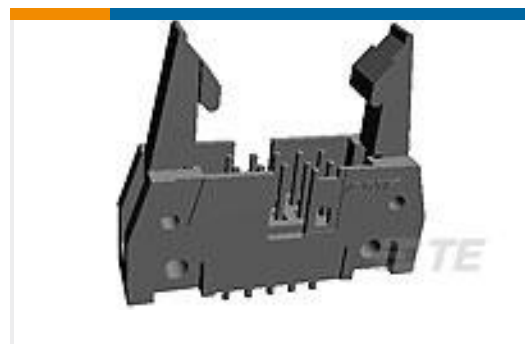


PCB Headers & Receptacles(78)



Quick Disconnects(4)

## Customers Also Bought



TE Part #1-5746443-0  
A/L UNIV HDR 50P ACT PIN LG LAT



TE Part #1-2308272-6  
CABLE CLAMP6 (CASE RAW)



TE Part #4-2176390-4  
RQ 1206 3K24 0.1% 10PPM 5K RL



TE Part #1-963221-1  
LOW & MEDIUM POWER HEADER



TE Part #964132-2  
FF 110 TAB 0.5-1.0 MM2 PTP CUSN4



TE Part #828214-4  
4P MOD2 STIFT LEI



TE Part #1393586-6  
V23535A2200A100=BKMOD421  
HEADE

## Documents



## Product Drawings

### MESSERLEISTE MIX42P

English

## CAD Files

### 3D PDF

English

#### Customer View Model

[ENG\\_CVM\\_1-967280-1\\_G4.2d\\_dxf.zip](#)

English

#### Customer View Model

[ENG\\_CVM\\_1-967280-1\\_G4.3d\\_igs.zip](#)

English

#### Customer View Model

[ENG\\_CVM\\_1-967280-1\\_G4.3d\\_stp.zip](#)

English

### 3D PDF

3D

#### Customer View Model

[ENG\\_CVM\\_CVM\\_1-967280-1\\_G.2d\\_dxf.zip](#)

English

#### Customer View Model

[ENG\\_CVM\\_CVM\\_1-967280-1\\_G.3d\\_igs.zip](#)

English

#### Customer View Model

[ENG\\_CVM\\_CVM\\_1-967280-1\\_G.3d\\_stp.zip](#)

English

By downloading the CAD file I accept and agree to the [Terms and Conditions](#) of use.

## Product Environmental Compliance

### Product Compliance

English

### Product Compliance

English