



Terminals & Splices > Automotive Terminals > AMP MCP, RECEPTACLE AND TAB



Terminal Type: **Receptacle**

Mating Tab Width: **9.5 mm [.374 in]**

Mating Tab Thickness: **1.2 mm [.047 in]**

Terminal Transmits: **41 – 100 A (High Power)**

Wire Size: **7 – 5 AWG**

[All AMP MCP, RECEPTACLE AND TAB \(125\)](#)

Features

Product Type Features

Receptacle Style	180°
Sealable	Yes
Primary Locking Feature	Locking Lance

Body Features

Terminal Seal Type	Single Wire Seal (SWS)
--------------------	------------------------

Contact Features

Contact Size	AMP MCP 9.5mm
Contact Fabrication	Stamped & Formed
Typical Current Rating	78 A
Crimp Type	F-Crimp
Terminal Type	Receptacle
Mating Tab Width	9.5 mm[.374 in]
Mating Tab Thickness	1.2 mm[.047 in]
Interface Plating	Tin (Sn)
Contact Termination Area Plating Material	Tin (Sn)

Termination Features

Termination Method to Wire & Cable	Crimp
------------------------------------	-------



Product Terminates To	Wire
-----------------------	------

Dimensions

Wire Size	10 – 16 mm ²
Wire Size Search	5 AWG, 6 AWG, 7 AWG
Wire Insulation Diameter	7.1 – 7.7 mm [.277 – .301 in]

Usage Conditions

Insulation Option	Uninsulated
Operating Temperature (Max)	80 °C, 85 °C, 90 °C, 100 °C, 105 °C, 110 °C, 120 °C, 125 °C, 130 °C [176 °F][185 °F][194 °F][212 °F][221 °F][230 °F][248 °F][257 °F][266 °F]
Operating Temperature Range	-40 – 130 °C [-40 – 266 °F]

Operation/Application

Compatible With Wire Base Material	Copper
------------------------------------	--------

Industry Standards

Agency/Standard	LV214
-----------------	-------

Packaging Features

Packaging Method	Reel
Packaging Quantity	500

Other

Terminal Transmits	41 – 100 A (High Power)
--------------------	-------------------------

Product Compliance

[For compliance documentation, visit the product page on TE.com>](#)

EU RoHS Directive 2011/65/EU	Compliant
EU ELV Directive 2000/53/EC	Compliant
China RoHS 2 Directive MIIT Order No 32, 2016	No Restricted Materials Above Threshold
EU REACH Regulation (EC) No. 1907/2006	Current ECHA Candidate List: JAN 2022 (223) Candidate List Declared Against: JAN 2022 (223) Does not contain REACH SVHC
Halogen Content	Low Halogen - Br, Cl, F, I < 900 ppm per homogenous material. Also BFR/CFR/PVC Free

Solder Process Capability

Not applicable for solder process capability

Product Compliance Disclaimer

This information is provided based on reasonable inquiry of our suppliers and represents our current actual knowledge based on the information they provided. This information is subject to change. The part numbers that TE has identified as EU RoHS compliant have a maximum concentration of 0.1% by weight in homogenous materials for lead, hexavalent chromium, mercury, PBB, PBDE, DBP, BBP, DEHP, DIBP, and 0.01% for cadmium, or qualify for an exemption to these limits as defined in the Annexes of Directive 2011/65/EU (RoHS2). Finished electrical and electronic equipment products will be CE marked as required by Directive 2011/65/EU. Components may not be CE marked. Additionally, the part numbers that TE has identified as EU ELV compliant have a maximum concentration of 0.1% by weight in homogenous materials for lead, hexavalent chromium, and mercury, and 0.01% for cadmium, or qualify for an exemption to these limits as defined in the Annexes of Directive 2000/53/EC (ELV). Regarding the REACH Regulation, the information TE provides on SVHC in articles for this part number is based on the latest European Chemicals Agency (ECHA) 'Guidance on requirements for substances in articles' posted at this URL: <https://echa.europa.eu/guidance-documents/guidance-on-reach>

Compatible Parts



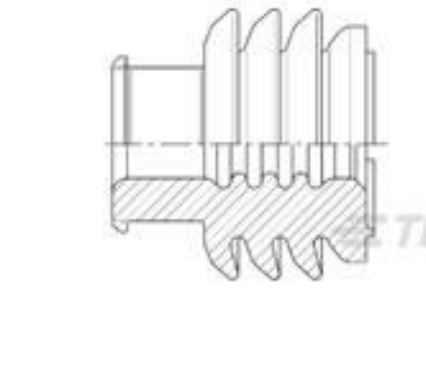
TE Part # 1355328-1
2POS,AMP MCP 9.5,REC HSG ASSY, SLD




TE Part # CAT-T4827-CH8172
TIMER, CONNECTOR HOUSING



TE Part # 539971-1
EXTRACTION TOOL




TE Part # 1355437-3
MCP9,5 EINZELDICHTG

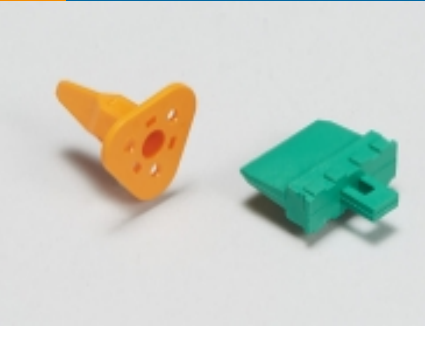


TE Part # 1-539783-0
DIE MCP9,5 16MM EDS


Also in the Series | AMP MCP Connector System




Automotive Connector Caps & Covers (24)



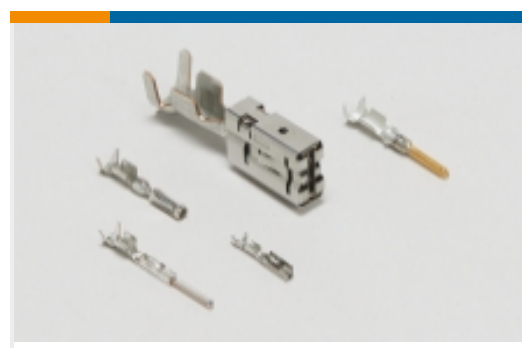
Automotive Connector Locks & Position Assurance(7)



Automotive Housings(352)



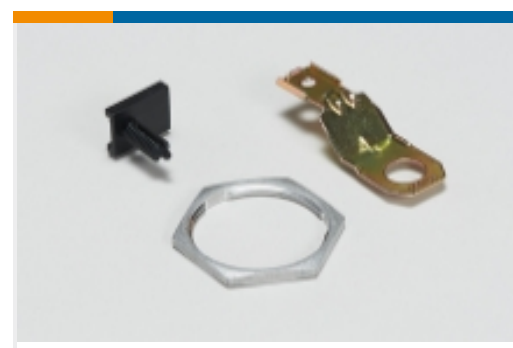
Automotive Seals & Cavity Plugs(6)



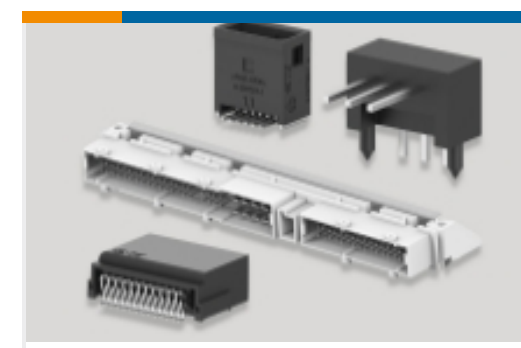
Automotive Terminals(125)



Insertion & Extraction Tools(13)



Other Automotive Connector Accessories(2)



PCB Headers & Receptacles(29)

Customers Also Bought



TE Part #2138839-2
PLUG ASSY, 28 POS, KEY B, AMPSEAL 16 HL



TE Part #53242-1
PG SPR SPD 22-16COM22-18MIL 10



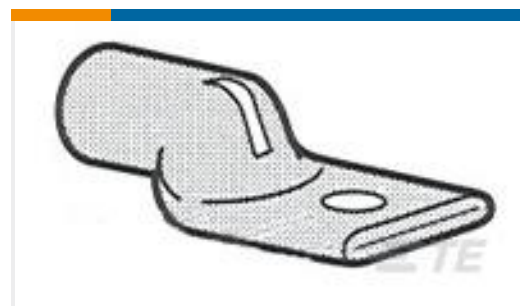
TE Part #1-1718491-2
AMP MCP, UNSEALED CONNECTOR HOUSING



TE Part #2-967325-3
2,5MM BU-GEH 2P,GR



TE Part #282189-5
SPLASH PROOF CONN. W.S.L.



TE Part #325305
TERMINAL,AMPOWER 1/0 1/2



TE Part #2292865-3
AS16 BACKSHELL, 12P CAP, NC16, MC



TE Part #1718348-3
MCON 1.2 CB TAB STC AG



TE Part #320743
TERMINAL,SOLIS R 4 7/16

Documents

Product Drawings

[AMP MCP 9.5, CONTACT, SWS](#)

English

CAD Files

[Customer View Model](#)

[ENG_CVM_1-967591-1_B4.3d_igs.zip](#)

English

[Customer View Model](#)



[ENG_CVM_1-967591-1_B4.3d_stp.zip](#)

English

Customer View Model

[ENG_CVM_1-967591-1_B4.2d_dxf.zip](#)

English

3D PDF

English

3D PDF

3D

Customer View Model

[ENG_CVM_CVM_1-967591-1_B.2d_dxf.zip](#)

English

Customer View Model

[ENG_CVM_CVM_1-967591-1_B.3d_igs.zip](#)

English

Customer View Model

[ENG_CVM_CVM_1-967591-1_B.3d_stp.zip](#)

English

By downloading the CAD file I accept and agree to the [Terms and Conditions](#) of use.

Product Specifications

Application Specification

German

Application Specification

German