

1-967621-1 ✓ ACTIVE

AMP | Junior Power Timer

TE Internal #: 1-967621-1

Housing for Female Terminals, Wire-to-Wire, 9 Position, .197 in [5 mm] Centerline, Yellow, Signal, Cable Mount (Free-Hanging), Junior Power Timer

[View on TE.com >](#)



Connectors > Automotive Connectors > Connector Housings > TIMER, CONNECTOR HOUSING



Connector & Housing Type: **Housing for Female Terminals**

Mating Tab Width: **2.8 mm [ .11 in ]**

Connector System: **Wire-to-Wire**

Number of Positions: **9**

Centerline (Pitch): **5 mm [ .197 in ]**

[All TIMER, CONNECTOR HOUSING \(543\)](#)

## Features

### Product Type Features

Connector & Housing Shape	Rectangular
Connector & Housing Type	Housing for Female Terminals
Connector System	Wire-to-Wire
Sealable	No
Hybrid Connector	No
Primary Locking Feature	On the Terminal

### Configuration Features

Number of Positions	9
Number of Rows	3

### Body Features

Body Material	PBT GF
Primary Product Color	Yellow
Connector Code	A

### Contact Features

Contact Size	2.8mm
Contact Type	Receptacle
Mating Tab Width	2.8 mm[.11 in]



### Mechanical Attachment

Terminal Position Assurance	Yes
Strain Relief	Without
Mating Alignment Type	Keyed
Mating Alignment	With
Connector Mounting Type	Cable Mount (Free-Hanging)

### Housing Features

Centerline (Pitch)	5 mm [.197 in]
--------------------	----------------

### Dimensions

Product Width	16.2 mm [.638 in]
Product Length	16.2 mm [.638 in]
Product Height	26.5 mm [1.043 in]

### Operation/Application

Circuit Application	Signal
---------------------	--------

### Packaging Features

Packaging Method	Carton
------------------	--------

### Other

Serviceable	No
Connector Position Assurance Capable	No

### Product Compliance

[For compliance documentation, visit the product page on TE.com>](#)

EU RoHS Directive 2011/65/EU	Compliant
EU ELV Directive 2000/53/EC	Compliant
China RoHS 2 Directive MIIT Order No 32, 2016	No Restricted Materials Above Threshold
EU REACH Regulation (EC) No. 1907/2006	Current ECHA Candidate List: JAN 2022 (223) Candidate List Declared Against: JAN 2022 (223) Does not contain REACH SVHC
Halogen Content	Low Halogen - Br, Cl, F, I < 900 ppm per homogenous material. Also BFR/CFR/PVC Free
Solder Process Capability	Not applicable for solder process capability

Product Compliance Disclaimer

This information is provided based on reasonable inquiry of our suppliers and represents our current actual knowledge based on the information they provided. This information is subject to change. The part numbers that TE has identified as EU RoHS compliant have a maximum concentration of 0.1% by weight in homogenous materials for lead, hexavalent chromium, mercury, PBB, PBDE, DBP, BBP, DEHP, DIBP, and 0.01% for cadmium, or qualify for an exemption to these limits as defined in the Annexes of Directive 2011/65/EU (RoHS2). Finished electrical and electronic equipment products will be CE marked as required by Directive 2011/65/EU. Components may not be CE marked. Additionally, the part numbers that TE has identified as EU ELV compliant have a maximum concentration of 0.1% by weight in homogenous materials for lead, hexavalent chromium, and mercury, and 0.01% for cadmium, or qualify for an exemption to these limits as defined in the Annexes of Directive 2000/53/EC (ELV). Regarding the REACH Regulation, the information TE provides on SVHC in articles for this part number is based on the latest European Chemicals Agency (ECHA) 'Guidance on requirements for substances in articles' posted at this URL: <https://echa.europa.eu/guidance-documents/guidance-on-reach>

## Compatible Parts



TE Part # 1-967626-1  
TAB HOUSING, 2,8MM,9POS.



TE Part # CAT-T4827-T273  
TIMER, RECEPTACLE AND TAB



TE Part # 966140-4  
MESSERLEISTE 9P




TE Part # 967631-1  
2. KONT-SICHERUNG 9P




TE Part # 1-927768-1  
JPT REC 2.8 Contact SRC Au


## Also in the Series | Junior Power Timer




Automotive Connector Caps & Covers  
(5)



Automotive Housings(225)



Automotive Seals & Cavity Plugs(10)



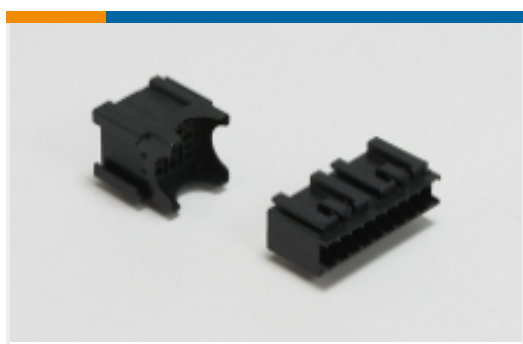
Automotive Terminals(82)



Busbars & Terminals(1)



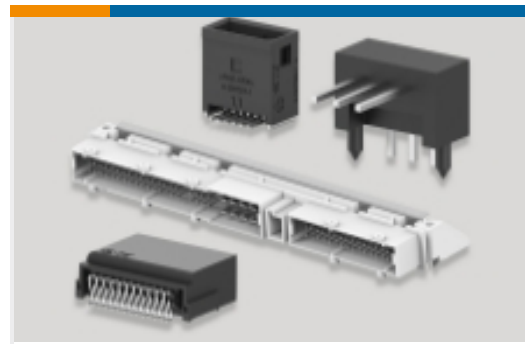
Insertion & Extraction Tools(9)



Module Components(8)



Other Automotive Connector Accessories(1)

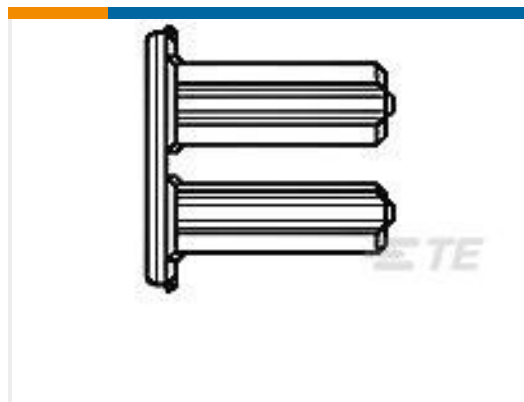


PCB Headers & Receptacles(1)

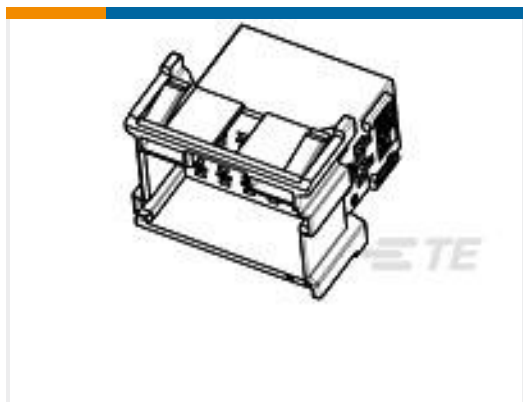
## Customers Also Bought



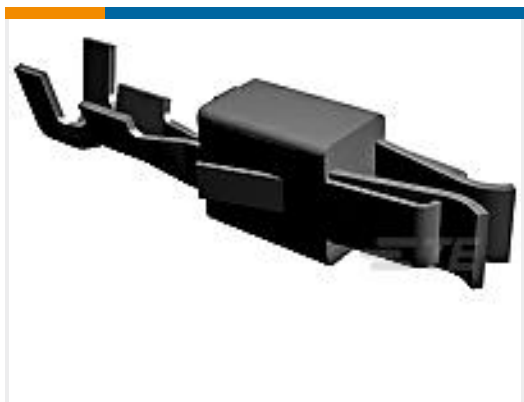
TE Part #1-967625-1  
TIMER, CONNECTOR HOUSING



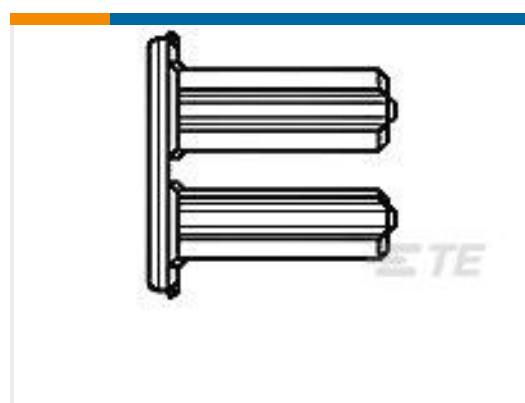
TE Part #967634-1  
2. RETAINER FOR 18POS



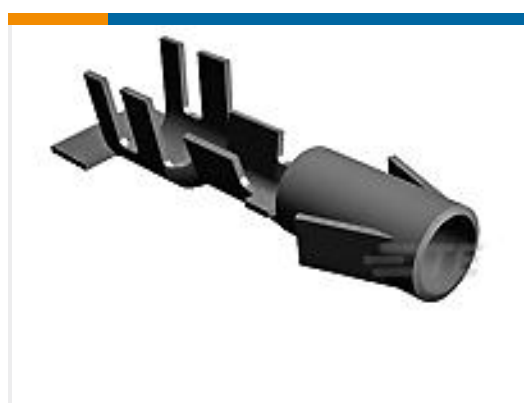
TE Part #1-967627-1  
FLA-STE-GEH2,8 12P



TE Part #927771-3  
JPT REC 2.8 Contact SRC Sn



TE Part #967633-1  
2. KONT-SICHERUNG 15P



TE Part #926986-1  
MNL BUCHSE 3,5 MM



TE Part #281872-1  
5MM PITCH TAB/RECPT CONN



TE Part #7-2151835-7  
OCEAN\_2.0\_SPARE\_PART\_KIT-055F0700

## Documents

### Product Drawings

[JUN-POW-TIM GEH 9P](#)

English

### CAD Files

Customer View Model

[ENG\\_CVM\\_1-967621-1\\_D.3d\\_igs.zip](#)

English

Customer View Model



[ENG\\_CVM\\_1-967621-1\\_D.3d\\_stp.zip](#)

English

**Customer View Model**

[ENG\\_CVM\\_1-967621-1\\_D.2d\\_dxf.zip](#)

English

**3D PDF**

English

By downloading the CAD file I accept and agree to the [Terms and Conditions](#) of use.

---

## Datasheets & Catalog Pages

**Timer Interconnection System**

English

---

## Product Specifications

**Product Specification**

English

**Product Specification**

English

---

## Product Environmental Compliance

**Product Compliance**

English

**Product Compliance**

English